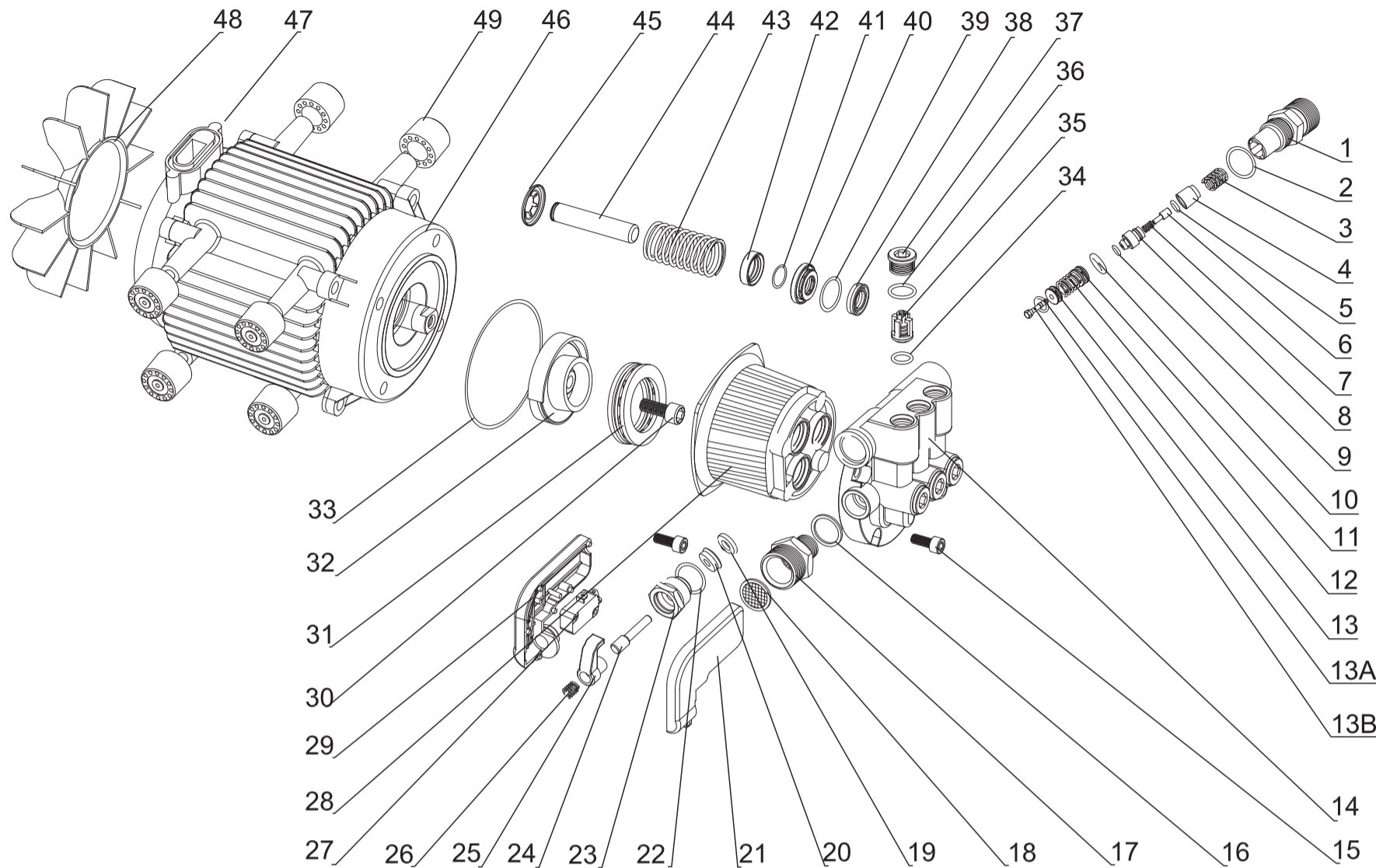


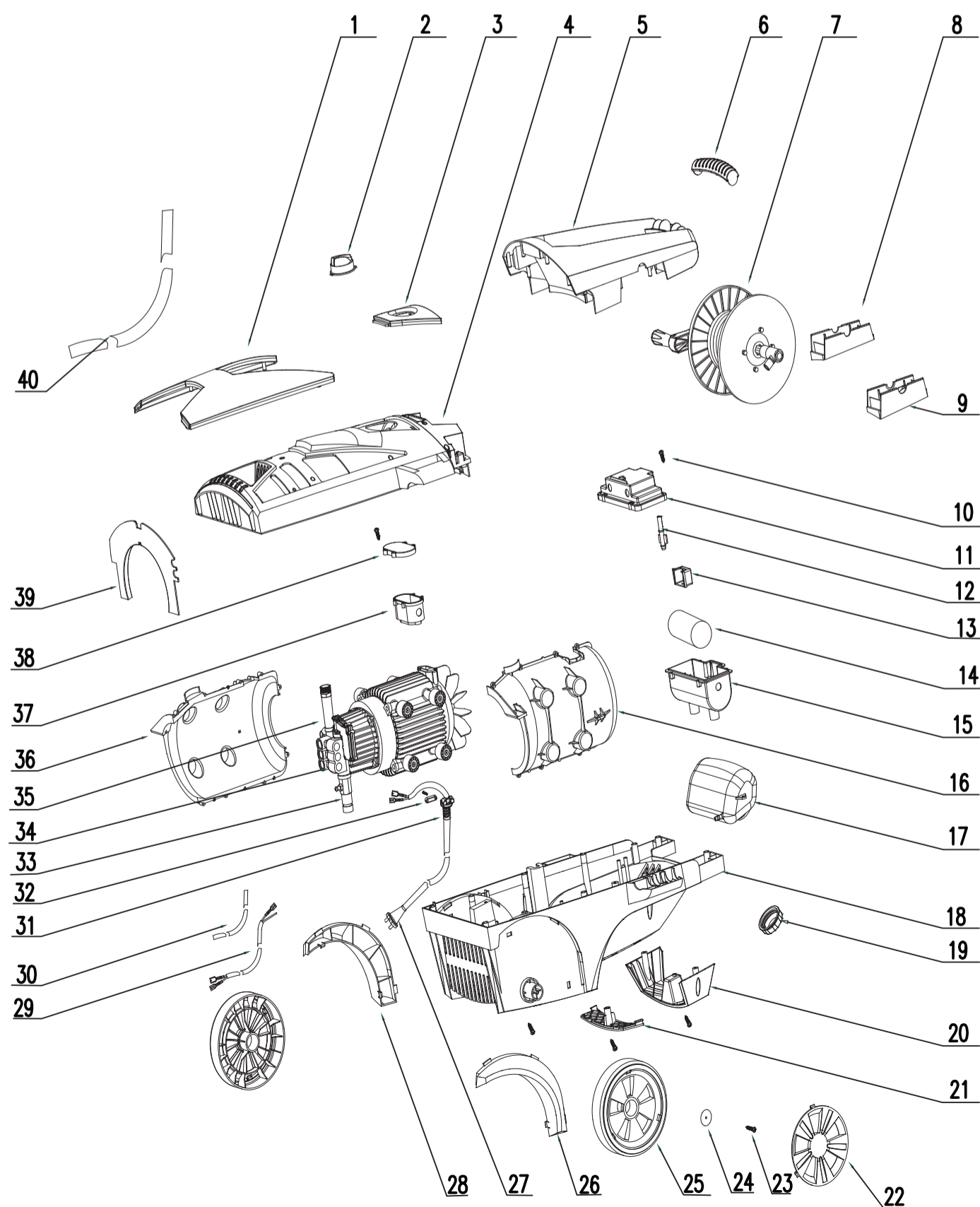
Σχέδιο 1 / Design 1



No.	ΠΕΡΙΓΡΑΦΗ	ΠΟΣ.
1	Water outlet joint	1
2	O-ring 22x2.4	1
3	Spring 0.6x10.5x4.5x12	1
4	Valve core blocking	1
5	O-ring 5x1.8	1
6	Valve core	1
7	Valve core spring	1
8	Valve jacket	1
9	O-ring 4.5x1.8	1
10	O-ring 16x2.4	1
11	Piston	1
12	Piston spring	1
13	Release valve seat	1
13A	O-ring 15x2.4	1
13B	Release valve stem	1
14	Pump head	1
15	Screw internal hexagonal, M8x20	4
16	O-ring, Ø18x2.4 mm	1
17	Joint water inlet	1+1
18	Filter	1
19	Connecting screw clip	1
20	Y-ring Ø4x11x2.5 mm	1
21	Down cover, pressure switch	1
22	O-ring Ø21x1.9 mm	1
23	Connection screw cap	1
24	Hindspike for pressure switch	1

No.	ΠΕΡΙΓΡΑΦΗ	ΠΟΣ.
25	Elbow	1
26	Spring Ø1xØ7.8x9x20	1
27	Microswitch	1
28	Pump body	1
29	Down cover, pressure switch	1
30	Screw internal hexagonal M8x20	1
31	Bearing , 51207 300200300071	1
32	Bearing housing, al alloy	1
33	O-ring, Ø90x2.65	1
34	O-ring , Ø14x1.9	6
35	Inlet & outlet valve	6
36	O-ring 16x1.9	6
37	Valve cap	6
38	Y-ring Ø14x22x5 mm	3
39	O-ring Ø18x1.9	3
40	Interspace ringer	3
41	O-ring Ø26x1.9	3
42	Skeleton seal Ø14x22x5 mm	3
43	Spring	3
44	Plunger	3
45	Plunger clip	3
46	Motor	1
47	Orientation ring	8
48	Fan 5107048	1
49	Shock pad	1

Σχέδιο 2 / Design 2



No.	ΠΕΡΙΓΡΑΦΗ	ΠΟΣ.
1	Panel	1
2	Switch button	1
3	Switch board	1
4	Front housing	1
5	Handle	1
6	Handle cover	1
7	Hose reel kit	1
8	Left pressure pad of wind. board	1
9	Right press. pad of wind. board	1
10	Crosee tapping screw	19
11	Junction box cover	1
12	Switch connected shaft	1
13	Switch holder	1
14	Capacitor	1
15	Junction box below	1
16	Induction motor right cover	1
17	Bottle	1
18	Bottom cover	1
19	Bottle cover	1
20	Barrel rack	1

No.	ΠΕΡΙΓΡΑΦΗ	ΠΟΣ.
21	Bottom platen	1
22	The cover of wheel	2
23	Screw internal hexagonal ST4x25	30
24	Wheel gasket	2
25	Wheel	2
26	Wheels right brim	1
27	Cable line	1
28	Wheels left brim	1
29	Water switch line	1
30	Pipette	1
31	Ply-yarn drill	1
32	Outlet pressure plate	1
33	Aspiration outlet	1
34	Induction motor assembly 150	1
35	Water inlet	1
36	Induction motor left cover 150	1
37	Connecting box down 150	1
38	Connecting box upper 150	1
39	Insulation board	1
40	External hose	1