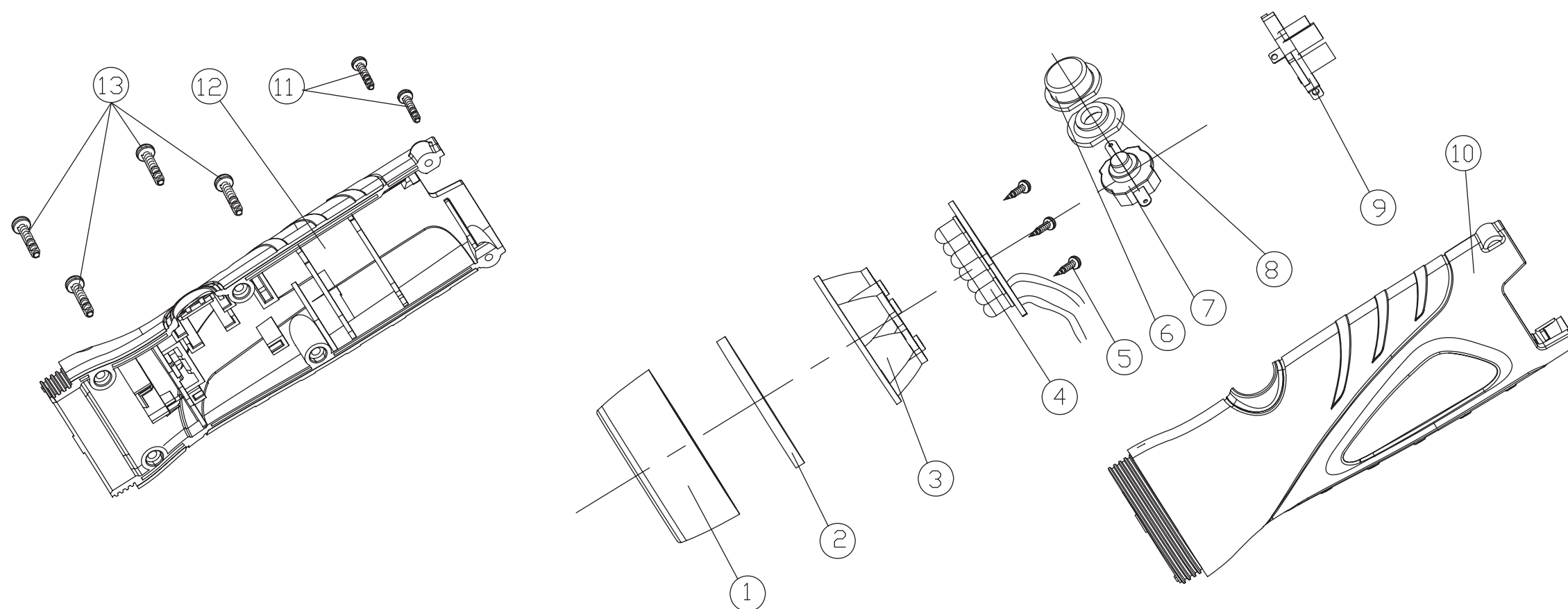


No.	ΠΕΡΙΓΡΑΦΗ	ΠΟΣ.
1	Soldering tip	1
2	Nut	2
3	Fixing block	1
4	Fixing bar	2
5	Adaptor	1
6	Temperature control knob	1
7	Cabinet (a)	1
8	Cabinet (b)	1
9	Screw	4
10	Cord	1
11	Cord armor	1
12	Terminal block	1
13	Temperature control	1
14	Connector plate	1
15	Switch	1
16	Switch button	1
17	PCB and LED	1

**Φακός / Flashlight**



No.	ΠΕΡΙΓΡΑΦΗ	ΠΟΣ.
1	Cover	1
2	Lens	1
3	Reflector for LED	1
4	Dis fender for LED	1
5	Cross pan head screw	3
6	Switch button	1
7	Switch	1
8	Switch button holder	1
9	Host connector holder	1
10	Left shell	1
11	Cross pan head screw	2
12	Right shell	1
13	Cross pan head screw	4