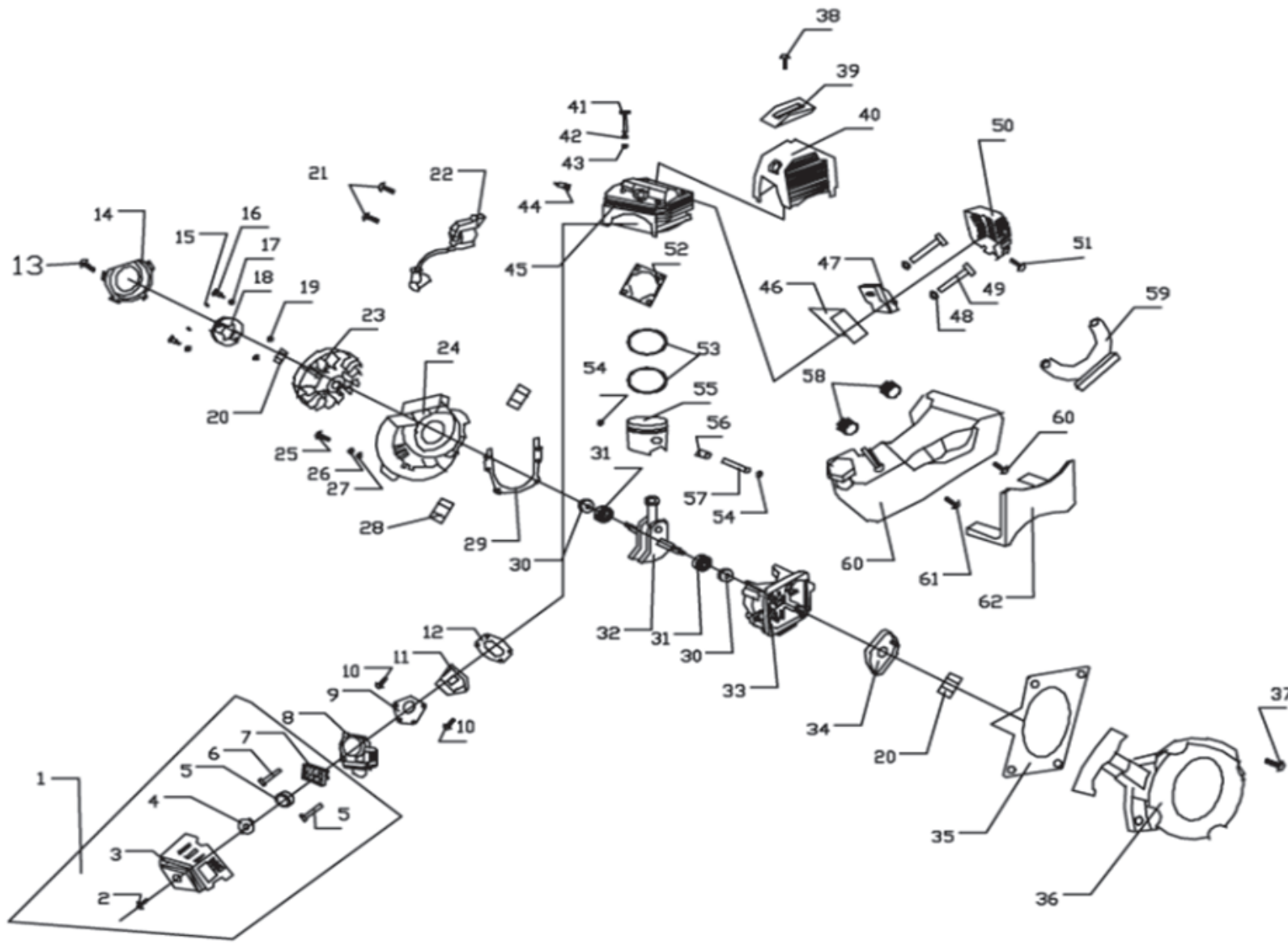


**i** Ο κινητήρας αυτός είναι κοινός με το "3170 Χορτοκοπτικό βενζίνης"  
This engine is the same with "3170 Gasoline brush cutter"

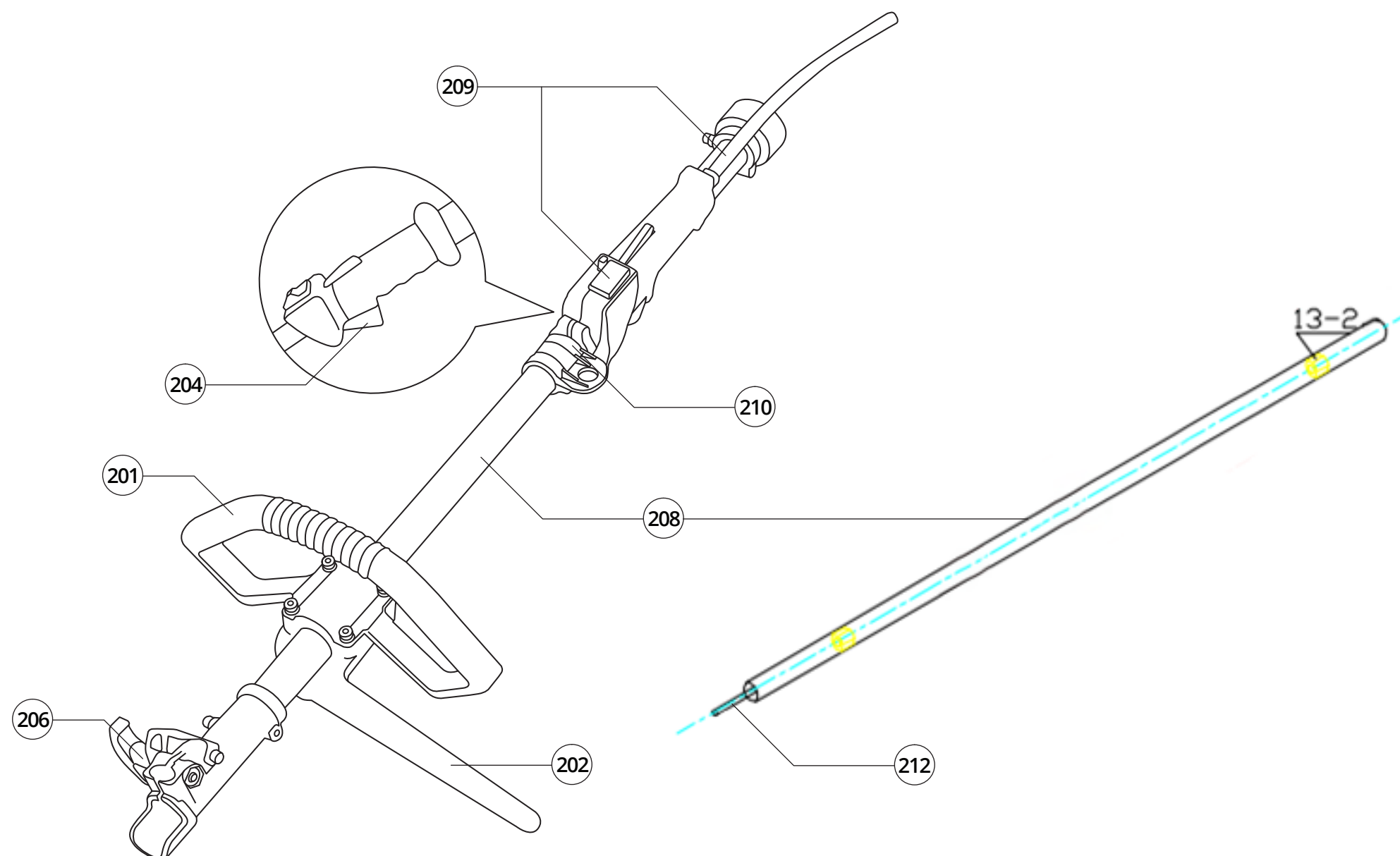
**Κινητήρας / Engine (3250 & 3170)**



| No. | ΠΕΡΙΓΡΑΦΗ          | ΠΟΣ. |
|-----|--------------------|------|
| 1   | Air filter assy    | 1    |
| 2   | Screw M5×16        | 1    |
| 3   | Air filter cover   | 1    |
| 4   | Fix board          | 1    |
| 5   | Sponge             | 1    |
| 6   | Screw              | 2    |
| 7   | Air filter seat    | 1    |
| 8   | Carburetor         | 1    |
| 9   | Carburetor gasket  | 1    |
| 10  | Screw              | 1    |
| 11  | Intake             | 1    |
| 12  | Intake gasket      | 1    |
| 13  | Screw              | 6    |
| 14  | Flywheel cover     | 1    |
| 15  | Fix pin            | 2    |
| 16  | Clutch fix bolt    | 2    |
| 17  | Washer             | 2    |
| 18  | Clutch fix bolt    | 1    |
| 19  | Clutch gasket      | 2    |
| 20  | Nut                | 1    |
| 21  | Screw              | 2    |
| 22  | Ignition assembly  | 1    |
| 23  | Flywheel           | 1    |
| 24  | Left block         | 1    |
| 25  | Screw              | 4    |
| 26  | Flexibility washer | 4    |
| 27  | Flat washer        | 4    |
| 28  | Fix pin            | 2    |
| 29  | Block gasket       | 1    |
| 30  | Oil seal           | 2    |
| 31  | Bearing            | 2    |

| No. | ΠΕΡΙΓΡΑΦΗ                | ΠΟΣ. |
|-----|--------------------------|------|
| 32  | Crankshaft assembly      | 1    |
| 33  | Right block              | 1    |
| 34  | Starter plate            | 1    |
| 35  | Aluminum washer          | 1    |
| 36  | Starter assembly         | 1    |
| 37  | Screw                    | 4    |
| 38  | Screw                    | 1    |
| 39  | Top cap                  | 1    |
| 40  | Cylinder cap             | 1    |
| 41  | Screw                    | 4    |
| 42  | Flexibility washer       | 4    |
| 43  | Flat washer              | 4    |
| 44  | Spark plug               | 1    |
| 45  | Cylinder                 | 1    |
| 46  | Silencer gasket          | 1    |
| 47  | Silencer                 | 1    |
| 48  | Flat washer              | 2    |
| 49  | Dual-heads bolt          | 2    |
| 50  | Silencer cover           | 1    |
| 51  | Screw                    | 1    |
| 52  | Cylinder gasket          | 1    |
| 53  | Piston ring              | 2    |
| 54  | Piston clip              | 2    |
| 55  | Piston                   | 1    |
| 56  | Piston bearing           | 1    |
| 57  | Piston pin               | 1    |
| 58  | Suspension cushion       | 2    |
| 59  | Oil tank bracket         | 1    |
| 60  | Oil tank bracket         | 1    |
| 61  | Screw                    | 2    |
| 62  | Oil tank protect bracket | 1    |

**Άξονας / Shaft**



| No.  | ΠΕΡΙΓΡΑΦΗ                            | ΠΟΣ. |
|------|--------------------------------------|------|
| 201  | Loop handle                          | 1    |
| 202  | Handle extension                     | 1    |
| 204  | Throttle trigger                     | 1    |
| 206  | Quick joint                          | 1    |
| 208  | Shaft aluminum pipe / tube           | 1    |
| 209  | Throttle cable & throttle set button | 1    |
| 210  | Suspension point                     | 1    |
| 13-2 | Oilness bearing                      | 2    |
| 212  | Transmission shaft                   | 1    |