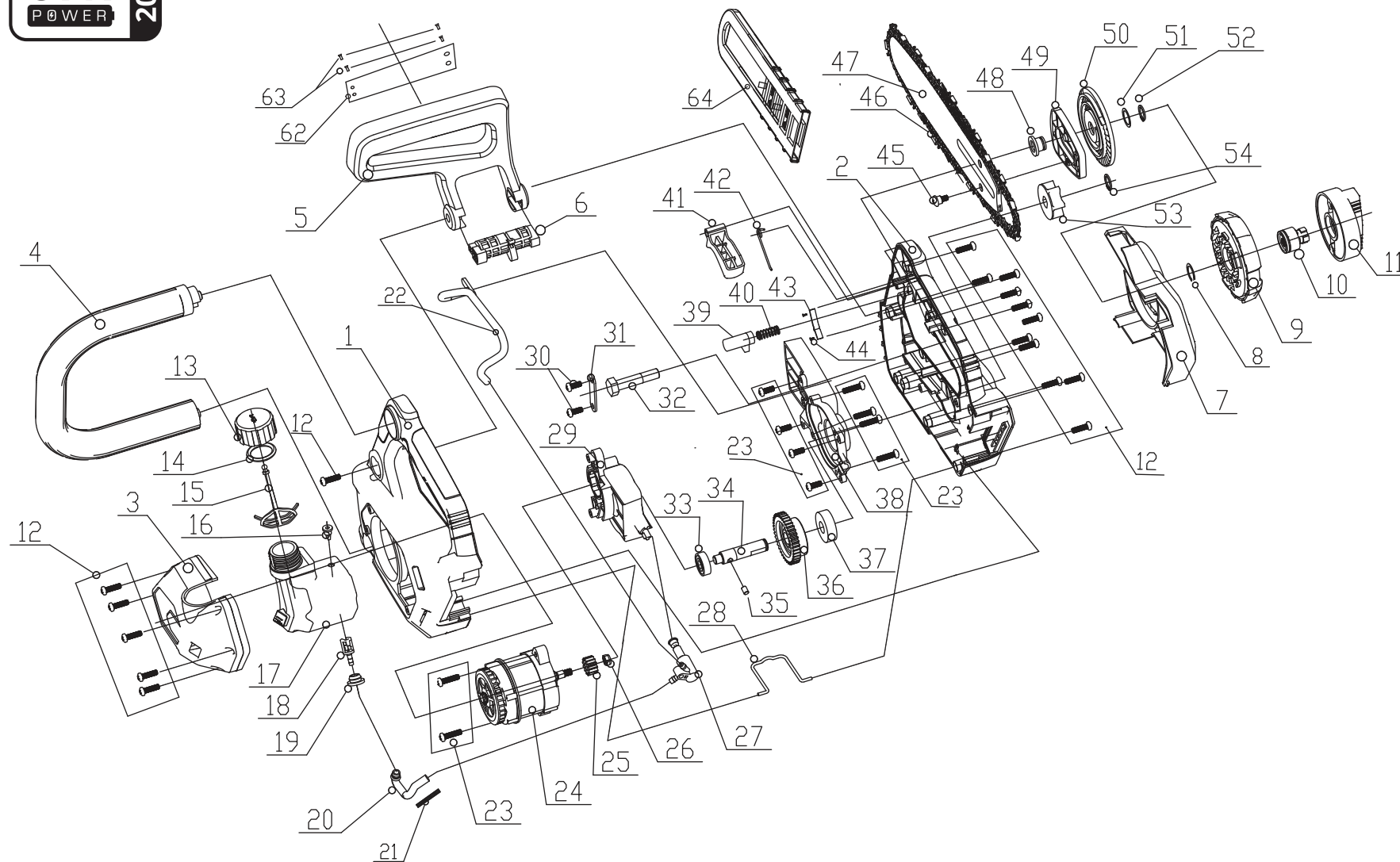


BRUSHLESS

UN1
POWER
20V



No.	ΠΕΡΙΓΡΑΦΗ	ΠΟΣ.
1	Left housing	1
2	Right housing	1
3	Tail cap	1
4	Side handle	1
5	Protective Guard	1
6	Spindle	1
7	End cap	1
8	Steel wire circlip	1
9	Adjustment knob	1
10	Inserts	1
11	Lock knob	1
12	Screw 3.5×14	17
13	Oil pot cover	1
14	O ring	1
15	Pulling bar	1
16	Exhaust valve	1
17	Oil pot	1
18	Filter	1
19	Oil tank cap	1
20	Oil inlet pipe	1
21	Spring Tube	1
22	Oil Outlet Pipe	1
23	Screw	10
24	Brushless motor	1
25	Small gear	1
26	Anti-loose nuts	1
27	Oil pump	1

No.	ΠΕΡΙΓΡΑΦΗ	ΠΟΣ.
28	U shaped hook	1
29	Gearbox cover	1
30	Screw	2
31	Pressure plate	1
32	Hex bolt	1
33	Bearing	1
34	Output shaft	1
35	Torque adjustment pin	1
36	Big gear	1
37	Bearing	1
38	Aluminum Bracket	1
39	Switch lock button	1
40	Lock button spring	1
41	Switch Trigger	1
42	Trigger torsion spring	1
43	Brake Shrapnel	1
44	Screw	2
45	Set screw	1
46	Chain	1
47	Guide bar	1
48	Bushing	1
49	Tensioning bracket	1
50	Tensioning gear plate	1
51	Gasket	1
52	Circlip	1
53	Chain wheel	1
54	Circlip	1