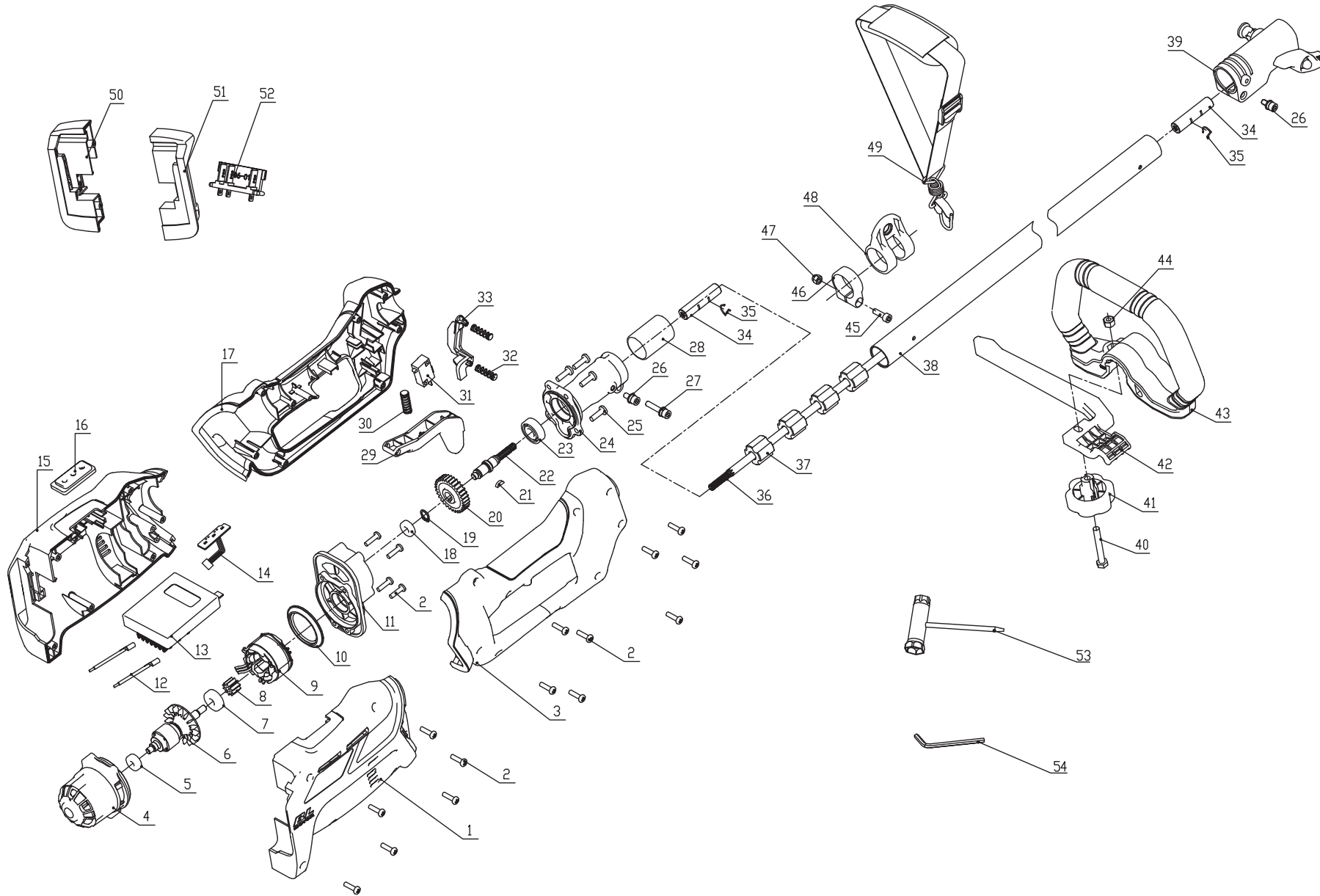


BRUSHLESS

UN1
POWER 20V



No.	ΠΕΡΙΓΡΑΦΗ	ΠΟΣ.
1	Right case	1
2	Scew	18
3	Right handle	1
3-1	Right handle lagging	
4	Motor housing	1
5	Bearing	1
6	Rotor	1
7	Bearing	1
8	Small gear	1
9	Stator	1
10	Windshield	1
11	Gearbox	1
12	Terminal connection wire	2
13	Controller component	1
13-1	Control panel	1
13-2	Controller shell	1
13-3	Radiator panel	1
14	Light board	1
15	Left case	1
16	Indicator panel	1
17	Left handle	1
17-1	Left handle lagging	
18	Bearing	1
19	Shaft ring	1
20	Big gear	1
21	Semicircle key	1
22	Output shaft	1
23	Bearing	1
24	Gearbox cover	1
25	Screw	4

No.	ΠΕΡΙΓΡΑΦΗ	ΠΟΣ.
26	Screw	2
27	Screw	1
28	Rubber sleeve	1
29	Switch trigger	1
30	Switch spring	1
31	Micro Switch	1
32	Push button spring	2
33	Self-locking button	1
34	Connection sleeve	2
35	Shaped circlip	2
36	Front hard shaft	1
37	Oil bearing	4
38	Front Aluminum Tube	1
39	Type A aluminum joint	1
40	Hex bolts	1
41	Torx knob	1
42	Gear lever	1
43	Front handle	1
44	Hex nut	1
45	Scew	1
46	Ring	1
47	Hex lock nut	1
48	Buckle	1
49	Shoulder belt	1
50	Left battery compartment	1
51	Right battery compartment	1
52	Pin base	1
53	Socket wrench	1
54	Hex wrench	1