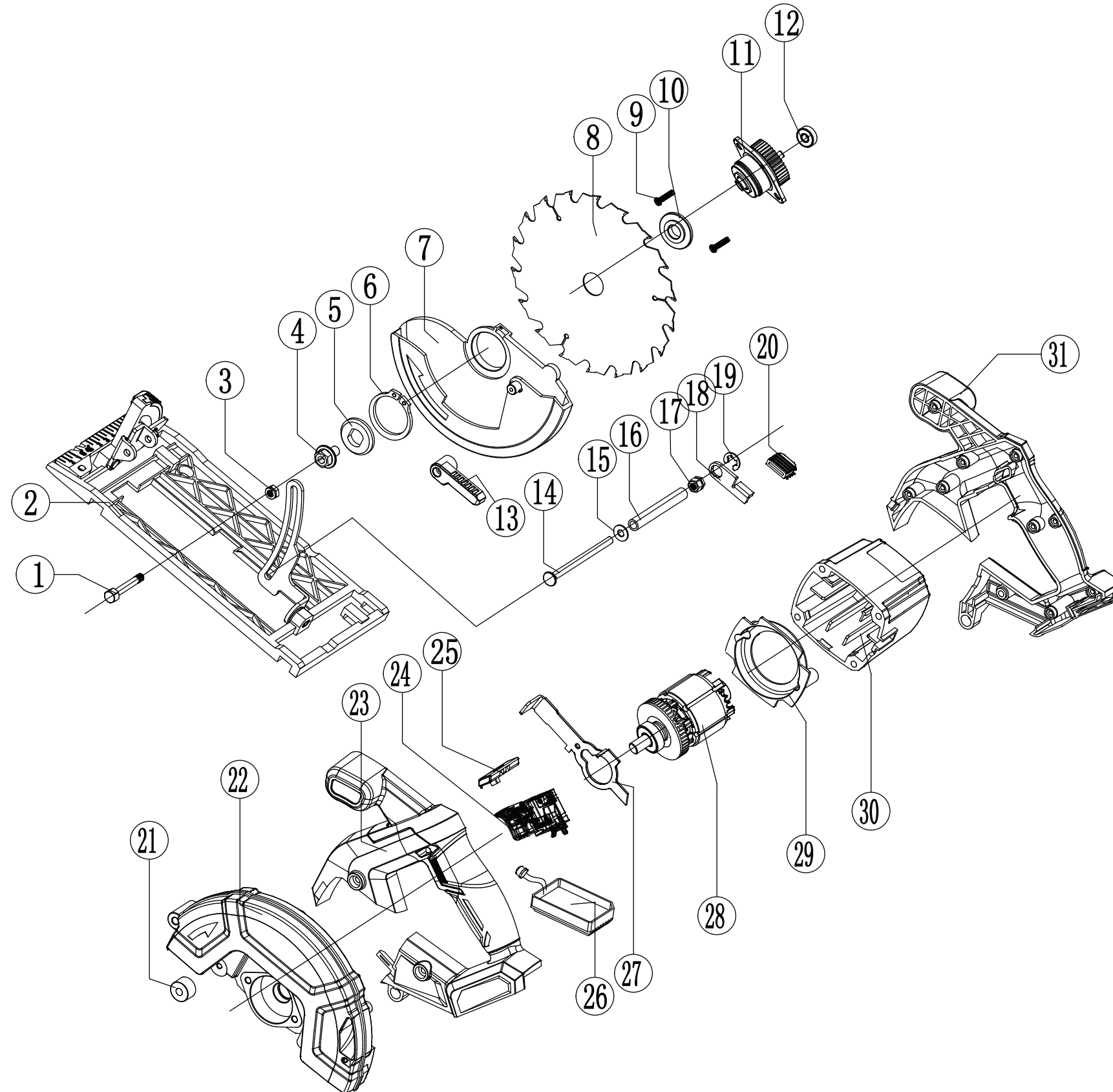


**BRUSHLESS**



No.	ΠΕΡΙΓΡΑΦΗ	ΠΟΣ.
1	Screw	1
2	Floor	1
3	Nut	1
4	Blade screw	1
5	Upper plate	1
6	Circlip	1
7	Activity shield	1
8	Saw blade	1
9	Tooth screw	2
10	Pressure plate	1
11	Tooth head shell	1
12	Bearing	1
13	Mobile shield handle	1
14	Long screw	1
15	Washer	1
16	Screw sleeve	1
17	Nut	1
18	Base angle adjustment	1
19	E-type card spring	1
20	Angle adjustment button	1
21	Cover block	1
22	Fixed cover	1
23	Left housing	1
24	Switch	1
25	Push rod	1
26	Control panel	1
27	Shaft lock insert	1
28	Motor	1
29	Tail cover bracket	1
30	Tail cover	1
31	Right housing	1