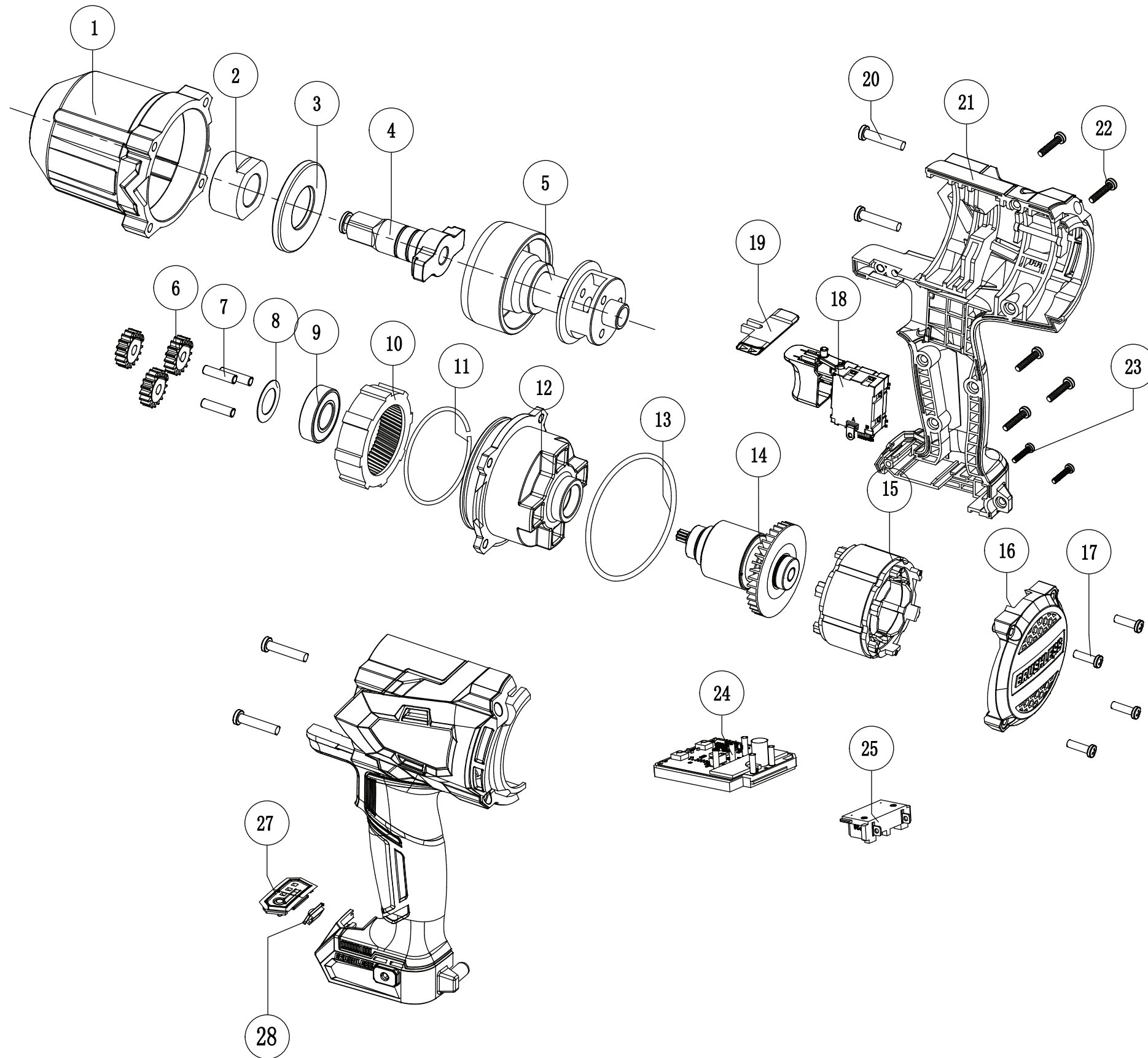


BRUSHLESS

UN1
POWER 20V



No.	ΠΕΡΙΓΡΑΦΗ	ΠΟΣ.
1	Aluminum head shell	1
2	Axle sleeve	1
3	Output shaft gasket	1
4	Output axis	1
5	Hit block component	1
6	Planetary teeth	3
7	Pin	3
8	Gasket	1
9	Pillow	1
10	Inner ring	1
11	Wire clip	1
12	Tooth back cover	1
13	Sealing ring	1
14	Electric rotor	1
15	Electronic stator	1
16	Tail cover	1
17	Self-propelled screw	4
18	Switch	1
19	Push rod	1
20	Self-propelled screw	4
21	Shell	1
22	Self-propelled screw	6
23	Self-propelled screw	1
24	Control panel	1
25	Large body bracket	1
27	Speed adjustment	1
28	Lampshade	1