

5360

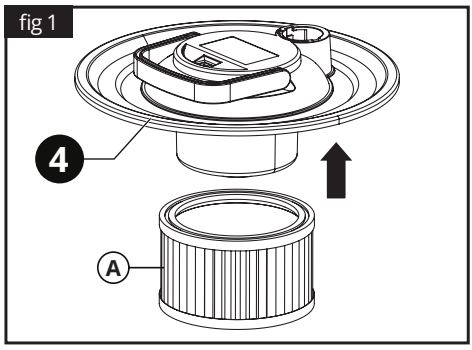
**ASH / DUST VACUUM CLEANER
WITH BLOWER**

**ΗΛΕΚΤΡΙΚΗ ΣΚΟΥΠΑ ΣΤΑΧΤΗΣ / ΣΚΟΝΗΣ
ΜΕ ΦΥΣΗΤΗΡΑ**

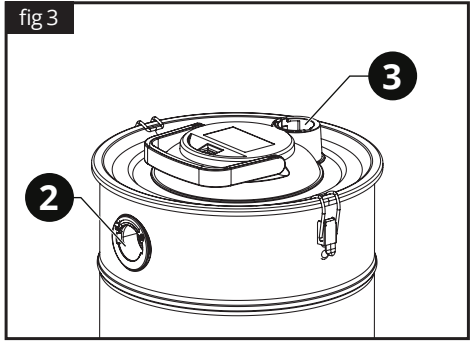
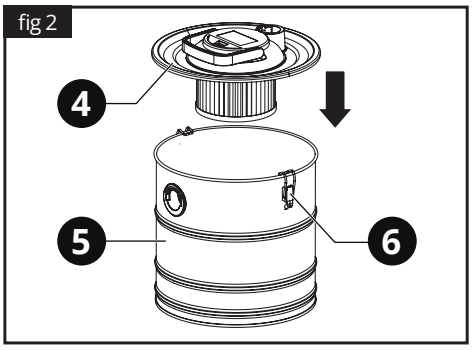


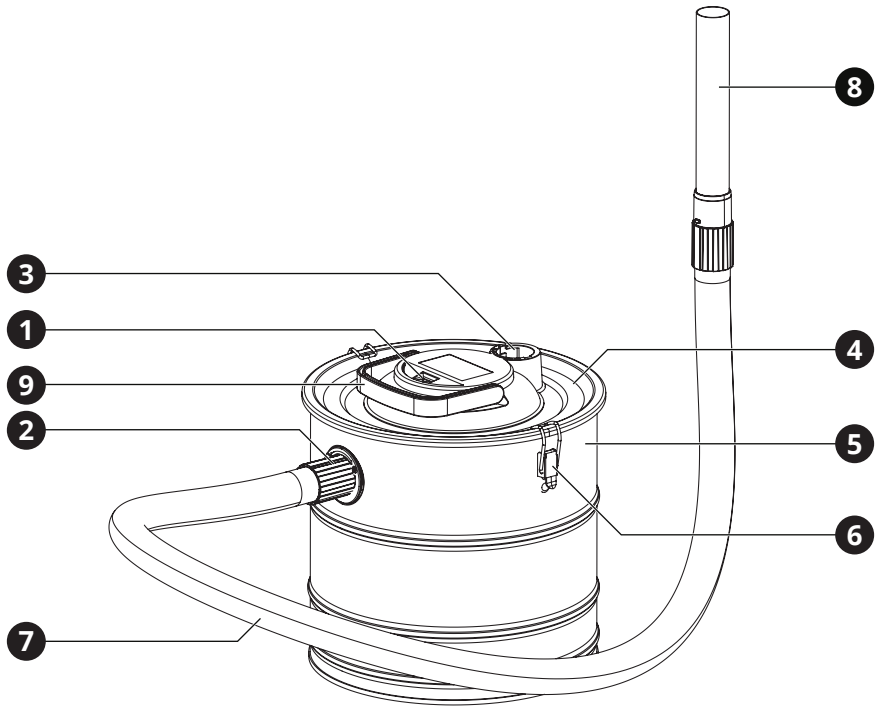
Operation manual
Εγχειρίδιο χρήσης

EN | GR



A. Filter / Φύλτρο





1. Overview

Tool description

- | | |
|--------------------------|---------------------------------|
| 1 ON / OFF switch | 6 Dust barrel lock clips |
| 2 Suction port | 7 Hose assembly |
| 3 Blow-off port | 8 Nozzle |
| 4 Cover | 9 Handle |
| 5 Dust barrel | |

2. General safety regulations

⚠ WARNING:

Disconnect the plug from the power source before making any assembly, adjustments or changing accessories. Such preventative safety measures reduce the risk of starting the tool accidentally.

Read carefully and understand all instructions before using the tool.

When using power tools, the following instructions must be followed to prevent hazards such as electric shock, fire and/or serious injury.

Work area safety

- ▶ Keep work area clean and well lit. Cluttered benches and dark areas invite accidents.
- ▶ Do not operate power tools in explosive atmospheres, such as in the presence of flammable liquids, gases or dust. Power tools create sparks which may ignite the dust or fumes.
- ▶ Keep children and bystanders away while operating a power tool. Distractions can cause you to lose control.

Electrical safety

- ▶ Power tool plugs must match the outlet. Never modify the plug in any way. Do not use any adapter plugs with earthed (grounded) power tools. Unmodified plugs and matching outlets will reduce the risk of electric shock.
- ▶ Avoid body contact with earthed or grounded surfaces such as pipes, radiators, ranges and refrigerators. There is an increased risk of electric shock if your body is earthed or grounded.
- ▶ Do not expose power tools to rain or wet conditions. Water entering a power tool will increase the risk of electric shock.
- ▶ Do not abuse the cord. Never use the cord for carrying, pulling or unplugging the power tool. Keep cord away from heat, oil, sharp edges or moving parts. Damaged or entangled cords increase the risk of electric shock.
- ▶ When operating a power tool outdoors, use

an extension cord suitable for outdoor use. Use of a cord for outdoor use reduces the risk of electric shock.

Personal safety

- ▶ Stay alert, watch what you are doing and use common sense when operating a power tool. Do not use a power tool while you are tired or under the influence of drugs, alcohol or medication. A moment of distraction while operating power tools may result in serious personal injury.
- ▶ Use safety equipment. Always wear eye protection. Safety equipment such as dust mask, non-skid safety shoes, hard hat, or hearing protection used for appropriate conditions will reduce personal injuries.
- ▶ Avoid accidental starting. Ensure the switch is in the off-position before plugging in. Carrying power tools with your finger on the switch or plugging in power tools that have the switch on invites accidents.
- ▶ Remove any adjusting key or wrench before turning the power tool ON. A wrench or a key left attached to a rotating part of the power tool may result in personal injury.
- ▶ Do not overreach. Keep proper footing and balance at all times. This enables better control of the power tool in unexpected situations.
- ▶ Dress properly. Do not wear loose clothing or jewellery. Keep your hair, clothing and gloves away from moving parts. Loose clothes, jewellery or long hair can be caught in moving parts.
- ▶ If devices are provided for the connection of dust extraction and collection facilities, ensure these are connected and properly used. Use of these devices can reduce dust related hazards.

Power tool use and care

- ▶ Do not force the power tool. Use the correct power tool for your application. The correct power tool will do the job better and safer for the purpose for which it was designed.
- ▶ Do not use the power tool if the switch does not turn it ON and OFF. Any power tool that cannot be controlled with the switch is dangerous and must be repaired.

- ▶ Disconnect the plug from the power source before making any adjustments, changing accessories or storing power tools. Such preventative safety measures reduce the risk of starting the power tool accidentally.
- ▶ Store idle power tools out of the reach of children and do not allow persons unfamiliar with the power tool or these instructions to operate the power tool. Power tools are dangerous in the hands of untrained users.
- ▶ Maintain power tools, check for misalignment or binding of moving parts, breakage of parts and any other condition that may affect the power tools' operation. If damaged, have the power tool repaired before use. Many accidents are caused by poorly maintained power tools.
- ▶ Keep cutting tools sharp and clean. Properly maintained cutting tools with sharp cutting edges are less likely to bind and are easier to control.
- ▶ Use the power tool, accessories and tool bits etc., in accordance with these instructions and in the manner intended for the particular type of power tool, taking into account the working conditions and the work to be performed. Use of the power tool for operations different from intended could result in a hazardous situation.

Service

- ▶ Have your power tool serviced by a qualified repair person using only genuine replacement parts. This will ensure that the safety of the power tool is maintained.
- ▶ Follow instruction for lubricating and changing accessories.
- ▶ Keep handles dry, clean and free from oil and grease.

3. Specific safety regulations

DO NOT let comfort or familiarity with product (gained from repeated use) replace strict adherence to electric power tools' safety rules. If you use this tool unsafely or incorrectly, you can suffer serious personal injury.

- 1 Use handles supplied with the tool. Loss of control can cause personal injury.
- 2 Be sure the bit is secured in place before operation.
- 3 Under normal operation, the tool is designed to produce vibration. The screws can come loose easily, causing a breakdown or accident. Check tightness of screws carefully before operation.
- 4 Keep hands away from moving parts.
- 5 Do not leave the tool running. Operate the tool only when hand-held.
- 6 Do not point the tool at any one in the area when operating.

Additional safety regulations for ash / dust vacuum cleaners

- Do not use the air outlet directly against people or animals when using this product.
- Do not vacuum flammable, toxic liquids, such as gasoline, oil, acids or other volatile substances, to avoid dangerous hazards.
- Only relevant professionals can repair electrical equipment. Improper repairs may result in considerable risk.
- Be sure the accessories are secured in place before operation.
- Do not leave the appliance running. Operate it only when needed.
- Do not point the air flow tube at any one in the area when operating. Parts could fly out and injure someone seriously.
- The hose can not be overly bent and forced to elongate, otherwise the hose will be deformed or damaged.
- Periodically check that all nuts, bolts and other fixings are properly tightened.
- The tool must be used only for its prescribed purpose. Any use other than those mentioned in this Manual will be considered a case of misuse. The user and not the manufacturer shall be liable for any damage or injury resulting from such cases of misuse. To use this appliance properly, you must observe the safety regulations, the assembly instructions and the operating instructions to be found in this Manual.

- This vacuum cleaner is suitable for cold ash from fireplaces, wood / coal stoves, ashtrays, grills etc. - "cold ash" is ash that has cooled sufficiently without embers inside.
- Empty and clean vacuum cleaner before and after vacuuming to avoid the collection of materials that could pose a fire hazard in the vacuum cleaner.
- Do not vacuum any sharp-edged, hot or incandescent materials.
- The appliance should not be exposed to heat.
- Do not vacuum any moist or liquid substances. Never immerse the appliance in water.
- Unplug the appliance from the mains supply socket after use and before every cleaning. Pull the plug, not the mains cable, in order to disconnect the appliance from the mains.
- Do not put any object into suction / blow-off ports.
- Do not vacuum if the ports are blocked. Keep them free of dust, lint, hair, etc.
- Do not use the vacuum cleaner without the dust container or dust filter bag in place.
- Do not vacuum any flour, cement etc, in order to avoid the overloads.
- Vacuum only ashes from permitted combustible materials.
- Do not vacuum any objects that are hotter than > 40 °C.

SAVE THESE INSTRUCTIONS

⚠ WARNING:

Misuse or failure to follow the safety rules stated in this instruction manual may cause serious personal injury.

4. Functional description and specifications

Intended use

This tool has been designed to vacuum up cold ash from fireplaces, stoves, BBQs etc. It can also be used as a regular vacuum cleaner or blower.

⚠ WARNING:

If the replacement of any part is necessary, this has to be done by a professional in order to avoid a safety hazard.

Tool	5360
Voltage	AC 220V-240V
Power input	1200W
Filter	HEPA
Suction	> 16 Kpa
Maximum air flow	25 L/s
Capacity	20 L
Hose length	1.2 m
Noise level	≤ 80 dBa
Cable length	2.5 m
Weight	3.8 kg

Assembly

Filter

Inspect the filter **A** and then place it in the cover **4** (fig 1). Place the cover on the dust barrel **5** and firmly secure the dust barrel lock clips **6** (fig 2).

Hose assembly

Place the end of the hose **7** in the suction port **2** or the blow-off port **3** depending on the application you want. Make sure, that it is snapped in position.

Operation

Before use

Before you start the appliance, make sure that the dust filter **A** is in position.

Switching ON and OFF

After placing the hose in the desired position, to activate the tool press the ON / OFF switch **1** to position I (fig 3).

To turn it off, press the ON / OFF switch **1** to position O (fig 3).

Cleaning and maintenance

Open the dust container **5**, take out the filter and

empty it. Clean the filter by shaking out the ash or blowing it with air. For best results, you can wash the filter with lukewarm water.

⚠ WARNING:

To use the filter in the vacuum cleaner again, the filter must first be thoroughly dried.

Reassemble it into the vacuum cleaner.

Error detection

If the suction power is weaker, check the following:

- If the unit is clogged
- If the filter needs cleaning
- If the dust container is not in place

5. Maintenance

Correct and regular cleaning will improve the safety and extend the lifespan of the device.

For safe and proper working, always keep the tool and ventilation slots clean.

The tool may be cleaned most effectively with compressed dry air or with a soft cloth moistened with soapy water. **Always wear safety goggles when cleaning tools with compressed air.**

Certain cleaning agents and solvents damage plastic parts. Some of these are: gasoline, carbon tetrachloride, chlorinated cleaning solvents, ammonia and household detergents that contain ammonia.

Store the tool, operating instructions and where necessary the accessories in the original packaging. In this way you will always have all the information and parts ready to hand.

⚠ WARNING:

Turn the device off, disconnect it from the mains and wait until it cools down before cleaning or maintenance to avoid electric shock or burn.



Wear ear defenders



Wear safety goggles



Wear a dust mask

6. Warranty

This tool has been checked by the manufacturer. From the date of purchase by the final consumer, a two year warranty for **amateur use** covers any faulty material and manufacturing. The receipt or invoice of purchase needs to be displayed in case of a repair that is covered by the warranty. For possible faults during the warranty period, you should address your issue to the retail shop from which the purchase was made.

Terms of warranty

The warranty is valid only when:

- The tool has been used properly and for the purpose for which it was purchased.
- The tool presents a problem that is due to faulty material and manufacturing.
- Incapability of the tool to perform according to the technical specs provided.

Damages are not covered by the warranty that are due to causes such as:

- Wear due to improper use.
- Partial or total disassembly. The tool's shell must be disassembled only by personnel authorised by the official distributor.
- Damage due to overloading.
- Usage of incorrect or incompatible accessory.
- Bad maintenance from the operator or any other third party.
- Wear that was induced by external factors or rogue particles (dust, debris etc.)
- Wear due to non compliance with the instructions in this manual.

If, during the warranty period, there is a fault that can not be repaired from the authorised service department, the tool will be replaced without any extra cost.

7. Repair / Servicing

In case there is a need for a repair after the warranty period has expired, we will provide the best possible attention to repair the tool successfully.

8. Disposal



Do not dispose of electrical machines as unsorted municipal waste, use separate collection facilities.

Contact your local government collection systems for information regarding the collection systems available.

If electrical machines are disposed of in landfills or dumps, hazardous substances can leak into the groundwater and get into the food chain, damaging your health and well-being. When replacing old machines with new ones, the retailer will be happy to take back your old machine for disposal.

9. Declaration of Conformity

Authorized Representative

PAPADEAS S.A.

4-6 Iroon 1912 St., 13671, Acharne, Greece

Herewith declares that:

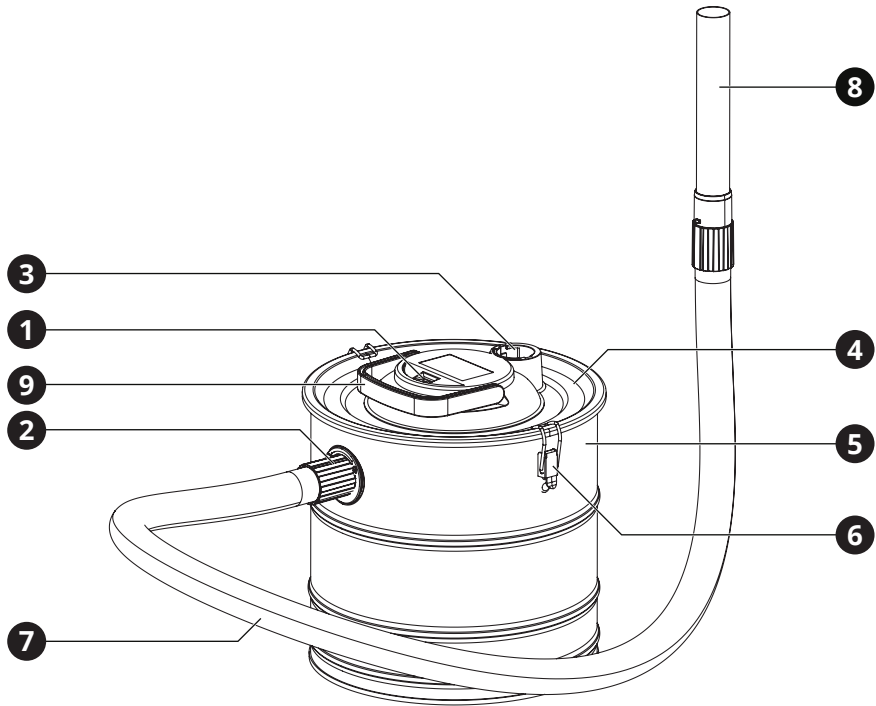
The **Ash vacuum cleaner** with **CODE: 5360** and distinctive title: **K-622/1200** under the brand **KRAUSMANN** (Description: Ash vacuum cleaner for household use, Ash Vacuum Cleaner for vacuuming dust out of oven, fireplaces, pellet and sauna stove, grill etc., Blow function for stirring fire, Vacuum function for easy cleaning of oven, 20L iron tank, Rated power: 1200w, Voltage: 220-240v/50-60hz, Noise level: ≤80 dB(A), Vacuity: >16kpa, Max air flow: 25L/S in color box packing), is designed in conformity with provision of the Directives 2014/30/EU, 2014/35/EU and the following manufacturing standards: EN60335-1:2012+AC:2014+A11:2014+A13:2017+A1:2019+A2:2019+A14:2019, EN60335-2-2:2010+A11:12+A1:13, EN62233:2008, EN55014-1:2017+A11:2020, EN55014-2:2015, EN IEC 61000-3-2:2019, EN61000-3-3:2013+A1:2019, EN 62233:2008, EK1 498-11:2011.

Year in which "CE" marking was affixed: Machine-year 2021

Date: October 20th, 2021



* Accessories and contents may change from the production factory without any warnings, in that case the company bears no responsibility.



1. Επισκόπηση

Περιγραφή Εργαλείου

- | | |
|----------------------|----------------------------------|
| 1 Διακόπτης ON / OFF | 6 Κλιπς ασφάλισης δοχείου σκόνης |
| 2 Θύρα αναρρόφησης | 7 Εύκαμπτος σωλήνας |
| 3 Θύρα εκφύσησης | 8 Ακροφύσιο |
| 4 Καπάκι | 9 Λαβή |
| 5 Δοχείο σκόνης | |

2. Γενικές οδηγίες ασφαλείας

⚠ ΠΡΟΣΟΧΗ:

Αποσυνδέστε το φως από την πρίζα πριν προχωρήσετε σε συναρμολόγηση, παραμετροποιήσεις ή αλλαγή αξεσουάρ.

Τέτοια προληπτικά μέτρα ασφάλειας μειώνουν τον κίνδυνο ακούσιας εκκίνησης του εργαλείου.

Διαβάστε προσεκτικά και τηρήστε αυτές τις οδηγίες πριν τη χρήση του εργαλείου.

Όταν χρησιμοποιείτε ηλεκτρικά εργαλεία, οι ακόλουθες οδηγίες πρέπει να τηρούνται για τη πρόληψη κινδύνου ηλεκτροπληξίας, προσωπικού τραυματισμού και πυρκαγιάς.

Ασφάλεια χώρου εργασίας

- ▶ Διατηρείτε το χώρο εργασίας καθαρό και καλά φωτισμένο. Οι βρώμικοι χώροι και οι σκοτεινοί πάγκοι εργασίας κρύβουν κινδύνους.
- ▶ Μη λειτουργείτε ηλεκτρικά εργαλεία στη βροχή ή σε υγρά μέρη. Μη χρησιμοποιείτε τα ηλεκτρικά εργαλεία κοντά σε εύφλεκτα υγρά ή αέρια. Τα ηλεκτρικά εργαλεία δημιουργούν σπινθήρες που μπορεί να αναφλέξουν τη σκόνη ή τις αναθυμιάσεις.
- ▶ Κρατήστε τους επισκέπτες και τα παιδιά μακριά ενώ λειτουργείτε ένα ηλεκτρικό εργαλείο. Κάθε απόσπαση της προσοχής σας μπορεί να προκαλέσει απώλεια ελέγχου του εργαλείου και να προκαλέσει ατύχημα.

Ασφάλεια ηλεκτρισμού

- ▶ Τα φως των ηλεκτρικών εργαλείων πρέπει να ταιριάζουν με τις πρίζες. Ποτέ μην τροποποιείτε την πρίζα με οποιοδήποτε τρόπο. Μη χρησιμοποιείτε μετατροπείς πρίζας με γειωμένα ηλεκτρικά εργαλεία. Οι πρίζες που δεν έχουν τροποποιηθεί και που ταιριάζουν στο φως θα μειώσουν τον κίνδυνο ηλεκτροπληξίας.
- ▶ Αποφεύγετε σωματική επαφή με γειωμένες επιφάνειες όπως σωλήνες, καλοριφέρ, ψυγεία. Υπάρχει αυξημένος κίνδυνος ηλεκτροπληξίας αν το σώμα σας είναι γειωμένο.

- ▶ Μην εκθέτετε ηλεκτρικά εργαλεία σε συνθήκες βροχής ή σε υγρά. Το νερό που εισέρχεται σε ένα ηλεκτρικό εργαλείο θα αυξήσει τον κίνδυνο ηλεκτροπληξίας.
- ▶ Μην κακομεταχειρίζεστε το καλώδιο. Ποτέ μη χρησιμοποιείτε το καλώδιο για να μεταφέρετε το εργαλείο ή για να το αποσυνδέσετε από την πρίζα τραβώντας το. Φυλάξτε το καλώδιο μακριά από τη ζέστη, το λάδι, κοφτερές επιφάνειες και κινούμενα μέρη. Τα φθαρμένα ή μπερδεμένα καλώδια αυξάνουν τον κίνδυνο ηλεκτροπληξίας.
- ▶ Όταν χρησιμοποιείτε το εργαλείο σε εξωτερικούς χώρους, να χρησιμοποιείτε μόνο προεκτάσεις καλωδίων που είναι κατάλληλες για αντίστοιχη χρήση. Η χρήση ενός τέτοιου καλωδίου μειώνει τον κίνδυνο ηλεκτροπληξίας.

Προσωπική ασφάλεια

- ▶ Να είστε σε επαγρύπνηση, να προσέχετε τι κάνετε και να χρησιμοποιείτε τη κοινή λογική όταν χρησιμοποιείτε ένα ηλεκτρικό εργαλείο. Μη χρησιμοποιείτε το εργαλείο όταν είστε κουρασμένος ή υπό την επήρεια ναρκωτικών, αλκοόλ ή φαρμακευτικής αγωγής. Μια στιγμή απροσεξίας μπορεί να προκαλέσει σοβαρό προσωπικό τραυματισμό.
- ▶ Χρησιμοποιείτε εξοπλισμό ασφαλείας. Πάντα να φοράτε προστασία για τα μάτια σας. Η χρήση κατάλληλου εξοπλισμού ασφαλείας για τις εκάστοτε συνθήκες εργασίας όπως μάσκα σκόνης, αντιολισθητικά παπούτσια ασφαλείας, κράνος προστασίας ή ωτοασπίδες θα μειώσει τον κίνδυνο προσωπικού τραυματισμού.
- ▶ Αποφύγετε ακούσια εκκίνηση του εργαλείου. Βεβαιωθείτε ότι ο διακόπτης είναι στη θέση OFF πριν το συνδέσετε στην πρίζα. Η μεταφορά εργαλείων που είναι συνδεδεμένα στην πρίζα με το δάκτυλο στο διακόπτη μπορεί να προκαλέσει ατύχημα.
- ▶ Αφαιρέστε τα εργαλεία και κλειδιά ρύθμισης πριν εκκινήσετε το εργαλείο. Αν έχει ξεχαστεί ένα τέτοιο εξάρτημα σε ένα περιτρεφόμενο μέρος του εργαλείου, μπορεί να προκαλέσει προσωπικό τραυματισμό.

- ▶ Μην υπερβάλλετε τεντώνοντας τα σωματικά σας μέρη. Διατηρείστε τη σωστή θέση των ποδιών σας και την ισορροπία σας ανά πάσα στιγμή. Έτσι θα έχετε καλύτερο έλεγχο του ηλεκτρικού εργαλείου σε αναπάντεχες καταστάσεις.
- ▶ Ντυθείτε κατάλληλα. Μη φοράτε χαλαρά ρούχα ή κοσμήματα. Κρατείστε τα μαλλιά, ρούχα και γάντια σας μακριά από κινούμενα μέρη. Τα χαλαρά ρούχα, κοσμήματα ή μακριά μαλλιά ενδέχεται να πιαστούν σε κινούμενα μέρη.
- ▶ Αν παρέχονται εξαρτήματα για εξαγωγή και περισυλλογή σκόνης, βεβαιωθείτε ότι είναι συνδεδεμένα και χρησιμοποιούνται σωστά. Η χρήση τέτοιων εξαρτημάτων μπορεί να μειώσουν κινδύνους που σχετίζονται με τη σκόνη.

Χρήση και φροντίδα του ηλεκτρικού εργαλείου

- ▶ Μη ζορίζετε το ηλεκτρικό εργαλείο. Χρησιμοποιείστε το κατάλληλο ηλεκτρικό εργαλείο για την κάθε ανάγκη. Το κατάλληλο εργαλείο θα φέρει εις πέρας την εργασία με μεγαλύτερη επιτυχία και ασφάλεια, όταν χρησιμοποιείται για το σκοπό που έχει κατασκευαστεί.
- ▶ Μη χρησιμοποιείτε το ηλεκτρικό εργαλείο αν ο διακόπτης δε γυρνάει στη θέση ON και OFF. Οποιοδήποτε ηλεκτρικό εργαλείο που δεν μπορεί να λειτουργήσει με το διακόπτη είναι επικίνδυνο και πρέπει να επισκευαστεί.
- ▶ Να βγάζετε το φως από την πρίζα πριν προχωρήσετε σε αλλαγές των αξεσουάρ ή σε αποθήκευση. Τέτοια προληπτικά μέτρα ασφαλείας μειώνουν τον κίνδυνο ακούσιας εκκίνησης του εργαλείου.
- ▶ Αποθηκεύστε τα εκτός λειτουργίας ηλεκτρικά εργαλεία σε χώρο που δεν είναι προσβάσιμα σε παιδιά και μην επιτρέπετε να τα λειτουργήσουν άτομα που δεν έχουν την κατάλληλη γνώση ή δεν έχουν διαβάσει το εγχειρίδιο χρήσης. Τα ηλεκτρικά εργαλεία είναι επικίνδυνα στα χέρια μη εκπαιδευμένων ατόμων.
- ▶ Συντηρείστε τα ηλεκτρικά εργαλεία, ελέγξτε την ευθυγράμμιση ή εμπλοκή των κινούμενων τμημάτων, τυχόν ρωγμές

τμημάτων, σύνδεση και κάθε άλλη συνθήκη που μπορεί να το καταστήσει επικίνδυνο και να επηρεάσει τη λειτουργία του. Αν έχει υποστεί ζημιά, πρέπει να επισκευαστεί κατάλληλα από ένα εξουσιοδοτημένο σέρβις πριν χρησιμοποιηθεί. Πολλά ατυχήματα μπορούν να συμβούν από ηλεκτρικά εργαλεία που δεν έχουν συντηρηθεί κατάλληλα.

- ▶ Διατηρείστε τα εργαλεία κοφτερά και καθαρά. Τα εργαλεία κοπής που είναι σωστά διατηρημένα και έχουν κοφτερές άκρες είναι λιγότερο πιθανό να χαλάσουν και είναι πιο εύκολα στον έλεγχο.
- ▶ Χρησιμοποιείτε το ηλεκτρικό εργαλείο, τα αξεσουάρ, τα εξαρτήματα κ.λπ. σύμφωνα με αυτές τις οδηγίες και με τον κατάλληλο τρόπο για το συγκεκριμένο τύπο του ηλεκτρικού εργαλείου, λαμβάνοντας υπόψη τις συνθήκες και την εργασία που πρέπει να πραγματοποιηθεί. Η χρήση του εργαλείου για σκοπούς διαφορετικούς από αυτούς για τους οποίους προορίζεται μπορεί να προκαλέσουν μια επικίνδυνη κατάσταση.

Επισκευή / Σέρβις

- ▶ Δώστε το εργαλείο σας να επισκευαστεί από έναν εξειδικευμένο ειδικό, χρησιμοποιώντας μόνο γνήσια ανταλλακτικά. Αυτό θα εξασφαλίσει τη διατήρηση της ασφάλειας του ηλεκτρικού εργαλείου.
- ▶ Ακολουθείστε τις οδηγίες για τη λίπανση και την αλλαγή των αξεσουάρ.
- ▶ Διατηρείστε τις λαβές στεγνές, καθαρές και χωρίς την ύπαρξη λαδιού και γράσου.

3. Ειδικές οδηγίες ασφαλείας

ΜΗΝ αφήνετε την άνεση και την εξοικείωση με το προϊόν (που αποκτήθηκε από εκτεταμένη χρήση) να αντικαταστήσει την αυστηρή συμμόρφωση με τους κανόνες ασφαλείας των ηλεκτρικών εργαλείων. Αν χρησιμοποιείτε αυτό το εργαλείο με λάθος τρόπο και χωρίς ασφάλεια, μπορεί να υποστείτε κάποιο σοβαρό προσωπικό τραυματισμό.

- 1 Να χρησιμοποιείτε το εργαλείο από τη λαβή του. Η απώλεια ελέγχου μπορεί να προκαλέσει προσωπικό τραυματισμό.
- 2 Βεβαιωθείτε ότι τα αξεσουάρ είναι ασφαλισμένα στη θέση τους πριν ξεκινήσετε τη λειτουργία του εργαλείου.
- 3 Υπό κανονικές συνθήκες, το εργαλείο είναι σχεδιασμένο να παράγει δονήσεις. Οι βίδες μπορούν εύκολα να χαλαρώσουν, προκαλώντας ζημιά ή ατύχημα. Να ελέγχετε προσεκτικά ότι οι βίδες είναι σφιγμένες πριν τη χρήση.
- 4 Κρατείστε τα χέρια σας μακριά από κινούμενα μέρη.
- 5 Μην αφήνετε το εργαλείο σε λειτουργία. Να το λειτουργείτε μόνο όταν το έχετε στα χέρια σας.
- 6 Μην σημαδεύετε το εργαλείο προς οποιονδήποτε στην περιοχή λειτουργίας.

Πρόσθετες οδηγίες ασφαλείας ειδικά για ηλεκτρικές σκούπες στάχτης / σκόνης

- Μην χρησιμοποιείτε την έξοδο αέρα απευθείας σε άτομα ή ζώα όταν χρησιμοποιείτε αυτό τη σκούπα.
- Μην σκουπίζετε εύφλεκτα, τοξικά υγρά, όπως βενζίνη, λάδι, οξέα ή άλλες πτητικές ουσίες, για να αποφύγετε κινδύνους.
- Μόνο οι σχετικοί επαγγελματίες μπορούν να επισκευάσουν ηλεκτρικό εξοπλισμό. Οι ακατάλληλες επισκευές μπορεί να οδηγήσουν σε σημαντικό κίνδυνο.
- Βεβαιωθείτε ότι τα αξεσουάρ είναι ασφαλισμένα στη θέση τους πριν από τη λειτουργία.
- Μην αφήνετε τη συσκευή σε λειτουργία. Λειτουργήστε τη μόνο όταν χρειάζεται.
- Μην στρέψετε το σωλήνα ροής αέρα σε κανέναν στην περιοχή κατά τη λειτουργία. Κομμάτια σκουπιδιών θα μπορούσαν να εκτοξευθούν και να τραυματίσουν σοβαρά κάποιον.
- Ο εύκαμπτος σωλήνας δεν μπορεί να λυγίσει υπερβολικά ή να επιμηκυνθεί, διαφορετικά θα παραμορφωθεί ή θα υποστεί ζημιά.
- Ελέγχετε περιοδικά εάν όλα τα παξιμάδια,

τα μπουλόνια και τα άλλα εξαρτήματα στερέωσης έχουν συσφιχθεί σωστά.

- Η συσκευή πρέπει να χρησιμοποιείται μόνο για τους καθορισμένους σκοπούς. Οποιαδήποτε χρήση εκτός από αυτές που αναφέρονται στο παρόν εγχειρίδιο θα θεωρείται περίπτωση κατάχρησης. Ο χρήστης ευθύνεται και όχι ο κατασκευαστής για οποιαδήποτε ζημία ή τραυματισμό που προκύπτει από περιπτώσεις κατάχρησης. Για να χρησιμοποιήσετε σωστά αυτή τη συσκευή, πρέπει να τηρείτε τους κανονισμούς ασφαλείας, τις οδηγίες συναρμολόγησης και τις οδηγίες λειτουργίας που θα βρείτε στο παρόν εγχειρίδιο.
- Αυτή η σκούπα είναι κατάλληλη για κρύα στάχτη από τζάκια, σόμπες ξύλου / κάρβουνου, τασάκια, ψησταριά κπλ - η "κρύα στάχτη" είναι η στάχτη που έχει κρυώσει αρκετά χωρίς να έχει χόβολη.
- Αδειάστε και καθαρίστε την ηλεκτρική σκούπα πριν και μετά την χρήση για να αποφύγετε τη συλλογή υλικών που θα μπορούσαν να αποτελέσουν κίνδυνο πυρκαγιάς.
- Μην σκουπίζετε υλικά με αιχμηρές άκρες, ζεστά ή πυρακτωμένα.
- Η συσκευή δεν πρέπει να εκτίθεται σε θερμότητα.
- Μην σκουπίζετε νωπές ή υγρές ουσίες. Μην βυθίζετε ποτέ τη σκούπα σε νερό.
- Αποσυνδέστε τη συσκευή από την πρίζα μετά τη χρήση και πριν από κάθε καθαρισμό. Τραβήξτε το φις, όχι το καλώδιο τροφοδοσίας, για να αποσυνδέσετε τη συσκευή από το ρεύμα.
- Μην βάζετε κανένα αντικείμενο στις θύρες αναρρόφησης / εκφύσησης.
- Μην το χρησιμοποιείτε τη σκούπα εάν έχουν φράξει οι θύρες. Διατηρήστε τις χωρίς σκόνη, χνούδια, τρίχες κ.λπ.
- Μη χρησιμοποιείτε την ηλεκτρική σκούπα χωρίς να είναι στη θέση τους το δοχείο σκόνης ή η σακούλα φίλτρου σκόνης.
- Μην σκουπίζετε με την ηλεκτρική σκούπα αλεύρι, ταμμένο κλπ, για να αποφύγετε τις υπερφορτώσεις.
- Απορροφήστε μόνο τη στάχτη από τα

επιτρεπόμενα καύσιμα υλικά.

- Μην σκουπίζετε με ηλεκτρική σκούπα αντικείμενα που είναι πιο ζεστά από > 40 °C.

ΑΠΟΘΗΚΕΥΣΤΕ ΑΥΤΟ ΤΟ ΕΓΧΕΙΡΙΔΙΟ ΧΡΗΣΗΣ

⚠ ΠΡΟΣΟΧΗ:

Κατάχρηση ή μη τήρηση των οδηγιών ασφαλείας που αναγράφονται σε αυτό το εγχειρίδιο χρήσης μπορεί να προκαλέσουν σοβαρό προσωπικό τραυματισμό.

4. Περιγραφή λειτουργιών και προδιαγραφών

Προβλεπόμενη χρήση

Αυτό το εργαλείο έχει σχεδιαστεί για την αναρρόφηση κρύας στάχτης από τζάκια, σόμπες, BBQs κλπ μπορεί επίσης να χρησιμοποιηθεί και ως κανονική ηλεκτρική σκούπα ή ως φυσητήρας.

⚠ ΠΡΟΣΟΧΗ:

Αν η αντικατάσταση οποιοδήποτε εξαρτήματος είναι απαραίτητη, αυτό πρέπει να γίνει από έναν επαγγελματία για να αποφευχθεί ο οποιοσδήποτε κίνδυνος ασφάλειας.

Εργαλείο	5360
Τάση λειτουργίας	AC 220V-240V
Ισχύς εισόδου	1200W
Φίλτρο	HEPA
Αναρρόφηση	> 16 Κρα
Μέγιστη ροή αέρα	25 L/s
Χωρητικότητα	20 L
Μήκος εύκαμπτου σωλήνα	1.2 m
Στάθμη θορύβου	≤ 80d Ba
Μήκος καλωδίου	2.5 m
Βάρος	3.8 kg

Συναρμολόγηση

Φίλτρο

Επιθεωρήστε το φίλτρο **A** και στη συνέχεια τοποθετήστε το στο καπάκι **4** (fig 1). Τοποθετήστε το καπάκι στο δοχείο σκόνης **5** και ασφαλίστε

καλά τα κλιπς ασφάλισης **6** (fig 2).

Εύκαμπτος σωλήνας

Τοποθετήστε το άκρο του εύκαμπτου σωλήνα **7** στη θύρα αναρρόφησης **2** ή στη θύρα εκφύσησης **3** αναλόγως την εφαρμογή που θέλετε. Βεβαιωθείτε ότι έχει κουμπώσει στη θέση του.

Λειτουργία

Πριν τη χρήση

Πριν ξεκινήσετε τη συσκευή, βεβαιωθείτε ότι το φίλτρο σκόνης **A** είναι στη θέση του.

Ενεργοποίηση και απενεργοποίηση

Αφού τοποθετήσετε τον εύκαμπτο σωλήνα στην επιθυμητή θέση, για να ενεργοποιήσετε το εργαλείο πιέστε τον διακόπτη ON / OFF **1** προς τη θέση I (fig 3).

Για να το απενεργοποιήσετε πιέστε τον διακόπτη ON / OFF **1** προς τη θέση O (fig 3).

Καθαρισμός και συντήρηση

Ανοίξτε το δοχείο σκόνης **5**, βγάλτε το φίλτρο και αδειάστε το. Καθαρίστε το φίλτρο τινάζοντας τη στάχτη ή φυσώντας το με αέρα. Για καλύτερα αποτελέσματα μπορείτε να πλύνετε το φίλτρο με χλιαρό νερό.

⚠ ΠΡΟΣΟΧΗ:

Για να χρησιμοποιήσετε ξανά το φίλτρο στη σκούπα πρέπει πρώτα να έχει στεγνώσει πολύ καλά το φίλτρο.

Συναρμολογήστε το ξανά στην ηλεκτρική σκούπα.

Ανίχνευση σφαλμάτων

Σε περίπτωση που η ισχύς αναρρόφησης είναι ασθενέστερη ελέγξτε τα παρακάτω:

- Εάν έχει βουλώσει η μονάδα
- Εάν το φίλτρο χρειάζεται καθαρισμό
- Εάν δοχείο σκόνης δεν είναι στη θέση του

5. Συντήρηση

Ο σωστός και τακτικός καθαρισμός θα βελτιώσει την ασφάλεια και θα επεκτείνει τη διάρκεια ζωής του εργαλείου.

Για ασφαλή και σωστή εργασία, πάντα να κρατάτε καθαρές τις υποδοχές εξαερισμού

και το ίδιο το εργαλείο σε καλή κατάσταση.

Το εργαλείο μπορεί να καθαριστεί αποτελεσματικά με ξηρό συμπιεσμένο αέρα ή με ένα μαλακό πανί βρεγμένο με σαπουνόνερο.

Πάντα να φοράτε προστατευτικά ματιών όταν καθαρίζετε τα εργαλεία με συμπιεσμένο αέρα.

Ορισμένα καθαριστικά μέσα και διαλύτες μπορεί να προκαλέσουν βλάβη σε πλαστικά μέρη. Κάποια από αυτά είναι: βενζίνη, τετραχλωράνθρακας, χλωριωμένοι διαλύτες καθαρισμού, αμμωνία και οικιακά απορρυπαντικά που περιέχουν αμμωνία.

Αποθηκεύστε το εργαλείο, το εγχειρίδιο χρήσης και όπου είναι απαραίτητο τα αξεσουάρ στη γνήσια συσκευασία. Με αυτό τον τρόπο θα έχετε πάντα όλη την πληροφορία και τα διάφορα μέρη στη διάθεσή σας.

⚠ ΠΡΟΣΟΧΗ:

Απενεργοποιήστε το εργαλείο, αποσυνδέστε την από το ρεύμα και περμίνετε μέχρι να κρυώσει πριν από τον καθαρισμό ή τη συντήρηση για να αποφύγετε ηλεκτροπληξία ή εγκαύματα.



Να φοράτε προστατευτικά αυτιών



Να φοράτε προστατευτικά ματιών



Να φοράτε μάσκα για τη σκόνη

6. Εγγύηση

Αυτό το εργαλείο έχει ελεγχθεί από τον κατασκευαστή. Από την ημερομηνία αγοράς από τον τελικό καταναλωτή, η εγγύηση δύο ετών για **ερασιτεχνική χρήση** καλύπτει κάθε ελαττωματικό υλικό και κατασκευή. Η απόδειξη ή το τιμολόγιο αγοράς πρέπει να επιδεικνύεται σε περίπτωση επισκευής που καλύπτεται από την εγγύηση. Για πιθανές βλάβες κατά τη διάρκεια της περιόδου εγγύησης, θα πρέπει να απευθυνθείτε στο κατάστημα λιανικής πώλησης από το οποίο πραγματοποιήθηκε η αγορά.

Όροι εγγύησης

Η εγγύηση ισχύει μόνο όταν:

- Το εργαλείο έχει χρησιμοποιηθεί σωστά και για τον σκοπό για τον οποίο αγοράστηκε.
- Το εργαλείο παρουσιάζει ένα πρόβλημα που οφείλεται σε ελαττωματικό υλικό και κατασκευή.
- Το εργαλείο αδυναμεί να εκτελέσει εργασίες σύμφωνα με τις τεχνικές προδιαγραφές που παρέχονται.

Δεν καλύπτονται από την εγγύηση ζημιές που οφείλονται σε αιτίες όπως:

- Φθορά λόγω ακατάλληλης χρήσης.
- Μερική ή ολική αποσυναρμολόγηση. Η αποσυναρμολόγηση πρέπει να γίνεται μόνο από προσωπικό εξουσιοδοτημένο από τον επίσημο διανομέα.
- Ζημιές λόγω υπερφόρτωσης.
- Χρήση εσφαλμένου ή ασύμβατου εξαρτήματος.
- Κακή συντήρηση από τον χειριστή ή οποιοδήποτε άλλο τρίτο μέρος.
- Φθορά που προκλήθηκε από εξωτερικούς παράγοντες ή ξένα σωματίδια (σκόνη, μπάζα κ.λπ.)
- Φθορά λόγω μη συμμόρφωσης με τις οδηγίες αυτού του εγχειριδίου.

Εάν, κατά τη διάρκεια της περιόδου εγγύησης, υπάρχει ζημιά που δεν μπορεί να επισκευαστεί από το εξουσιοδοτημένο τμήμα σέρβις, το εργαλείο θα αντικατασταθεί χωρίς πρόσθετο κόστος.

7. Επισκευή / Σέρβις

Σε περίπτωση ανάγκης για επισκευή μετά τη λήξη της περιόδου εγγύησης, θα δώσουμε την καλύτερη δυνατή προσοχή για την επιτυχή επιδιόρθωση του εργαλείου.

8. Περιβάλλον



Μην απορρίπτετε τις ηλεκτρικές μηχανές ως αστικά απόβλητα χωρίς διαλογή, χρησιμοποιήστε χωριστές εγκαταστάσεις συλλογής.

Επικοινωνήστε με τα συστήματα συλλογής τοπικής κυβέρνησης που είναι διαθέσιμα. Εάν τα ηλεκτρικά μηχανήματα απορρίπτονται σε χώρους υγειονομικής ταφής ή χωματερές, επικίνδυνες ουσίες μπορεί να διαρρεύσουν στα υπόγεια ύδατα και να εισέλθουν στην τροφική αλυσίδα, βλάπτοντας την υγεία και την ευημερία.

Κατά την αντικατάσταση των παλαιών μηχανημάτων με καινούργια, ο έμπορος λιανικής θα χαρεί να πάρει πίσω το παλιό σας μηχανήμα για απόρριψη.

9. Δήλωση Συμμόρφωσης

Εξουσιοδοτημένος Αντιπρόσωπος

ΠΑΠΑΔΕΑΣ Α.Ε.

Ηρώων 1912 4-6, 13671, Αχαρναί, Ελλάδα

Δια της παρούσης δηλώνεται ότι:

Το **Ηλεκτρική σκούπα στάχτης με ΚΩΔΙΚΟ: 5360** και διακριτικό τίτλο: **K-622/1200** υπό την επωνυμία **KRAUSMANN** (Περιγραφή: Ηλεκτρική σκούπα στάχτης για οικιακή χρήση, Ηλεκτρική σκούπα στάχτης για την αναρρόφηση της σκόνης από φούρνο, τζάκια, σόμπα πέλλετ, ψησταριά κ.λπ., Λειτουργία φυσήματος για ανάδευση φωτιάς, Λειτουργία ηλεκτρικής σκούπας για εύκολο καθάρισμα, δοχείο σκόνης 20 λίτρων, ονομαστική ισχύς: 1200w, Τάση: 220-240v/50-60hz, στάθμη θορύβου: ≤80 dB(A), αναρρόφηση: >16kpa, μέγιστη ροή αέρα: 25L/S, σε έγχρωμο κουτί), είναι σχεδιασμένο σύμφωνα με τις διατάξεις των Οδηγιών 2014/30/EU, 2014/35/EU και σύμφωνα με τα ακόλουθα πρότυπα: EN60335-1:2012+AC:2014+A11:2014+A13:2017+A1:2019+A2:2019+A14:2019, EN60335-2-2:2010+A11:12+A1:13, EN62233:2008, EN55014-1:2017+A11:2020, EN55014-2:2015, EN IEC 61000-3-2:2019, EN61000-3-3:2013+A1:2019, EN 62233:2008, EK1 498-11:2011.

Έτος απόκτησης “CE” πιστοποίησης: εργαλείο 2021

Ημερομηνία: 20 Οκτωβρίου 2021



* Τα αξεσουάρ και τα περιεχόμενα ενδέχεται να αλλάξουν από το εργοστάσιο παραγωγής χωρίς προειδοποίηση, σε αυτή την περίπτωση η εταιρεία δεν φέρει καμία ευθύνη.

KRAUSMANN[®]
POWER TOOLS

RELIABLE PERFORMANCE

5360

www.krausmann.gr

