

8860

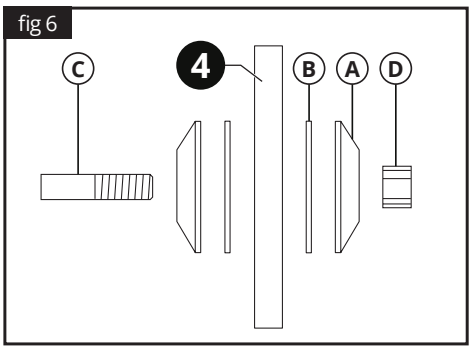
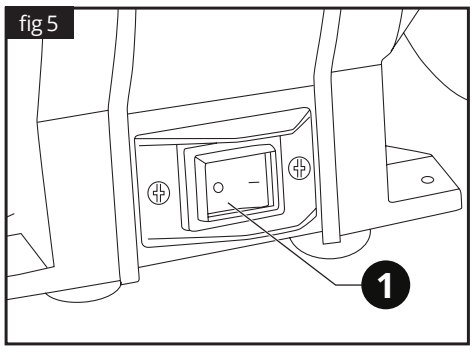
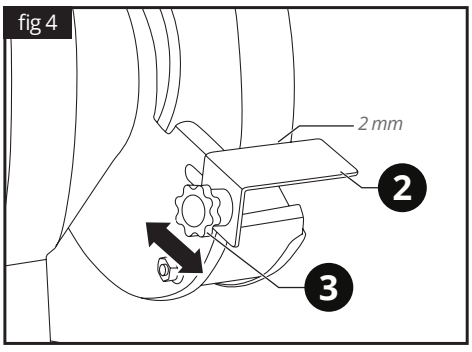
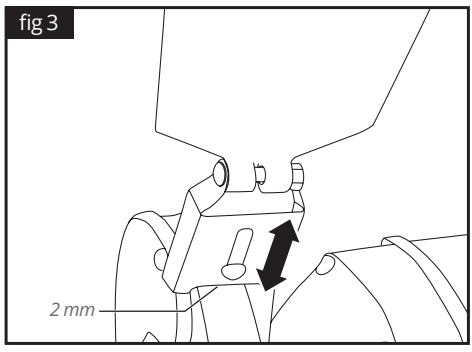
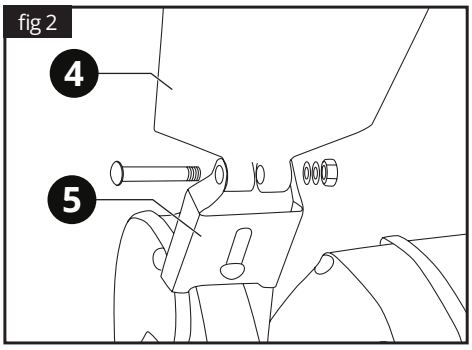
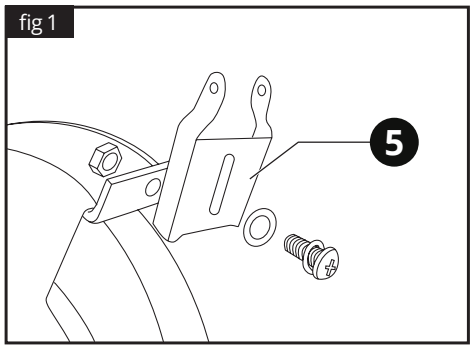
COMBINED BENCH GRINDER

ΔΙΔΥΜΟΣ ΤΡΟΧΟΣ ΠΑΓΚΟΥ

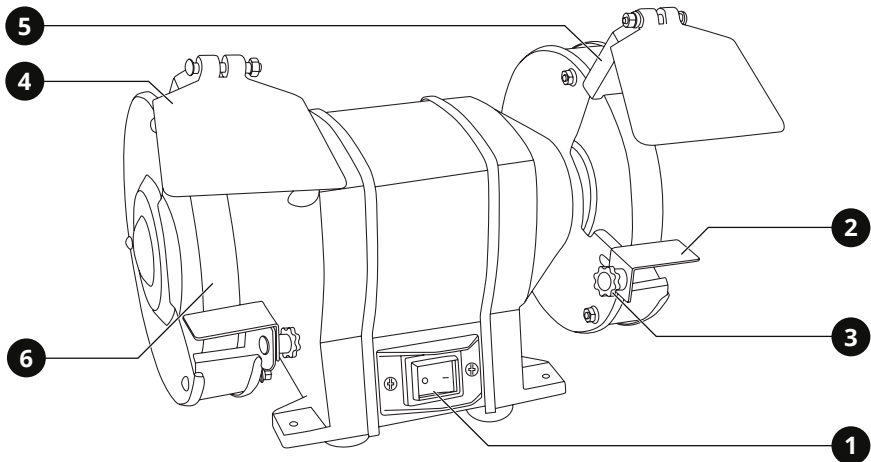


Operation manual
Εγχειρίδιο χρήσης

EN | GR



A. Ring / Δαχτυλίδι B. Soft intermediate piece / Μαλακό ενδιάμεσο κομμάτι C. Main shaft / Κύριος άξονας D. Nut / παξιμάδι

ENGLISH | EN**1. Overview****Tool description**

- | | |
|--------------------------------|--------------------------------|
| 1 ON / OFF switch | 4 Protection plate |
| 2 Work rest | 5 Plate holding bracket |
| 3 Work rest fixing knob | 6 Grinding wheel |

2. General safety regulations

⚠ WARNING:

Disconnect the plug from the power source before making any assembly, adjustments or changing accessories. Such preventative safety measures reduce the risk of starting the tool accidentally.

Read carefully and understand all instructions before using the tool.

When using power tools, the following instructions must be followed to prevent hazards such as electric shock, fire and/or serious injury.

Work area safety

- ▶ Keep work area clean and well lit. Cluttered benches and dark areas invite accidents.
- ▶ Do not operate power tools in explosive atmospheres, such as in the presence of flammable liquids, gases or dust. Power tools create sparks which may ignite the dust or fumes.
- ▶ Keep children and bystanders away while operating a power tool. Distractions can cause you to lose control.

Electrical safety

- ▶ Power tool plugs must match the outlet. Never modify the plug in any way. Do not use any adapter plugs with earthed (grounded) power tools. Unmodified plugs and matching outlets will reduce the risk of electric shock.
- ▶ Avoid body contact with earthed or grounded surfaces such as pipes, radiators, ranges and refrigerators. There is an increased risk of electric shock if your body is earthed or grounded.
- ▶ Do not expose power tools to rain or wet conditions. Water entering a power tool will increase the risk of electric shock.
- ▶ Do not abuse the cord. Never use the cord for carrying, pulling or unplugging the power tool. Keep cord away from heat, oil, sharp edges or moving parts. Damaged or entangled cords increase the risk of electric shock.
- ▶ When operating a power tool outdoors, use

an extension cord suitable for outdoor use. Use of a cord for outdoor use reduces the risk of electric shock.

Personal safety

- ▶ Stay alert, watch what you are doing and use common sense when operating a power tool. Do not use a power tool while you are tired or under the influence of drugs, alcohol or medication. A moment of distraction while operating power tools may result in serious personal injury.
- ▶ Use safety equipment. Always wear eye protection. Safety equipment such as dust mask, non-skid safety shoes, hard hat, or hearing protection used for appropriate conditions will reduce personal injuries.
- ▶ Avoid accidental starting. Ensure the switch is in the off-position before plugging in. Carrying power tools with your finger on the switch or plugging in power tools that have the switch on invites accidents.
- ▶ Remove any adjusting key or wrench before turning the power tool ON. A wrench or a key left attached to a rotating part of the power tool may result in personal injury.
- ▶ Do not overreach. Keep proper footing and balance at all times. This enables better control of the power tool in unexpected situations.
- ▶ Dress properly. Do not wear loose clothing or jewellery. Keep your hair, clothing and gloves away from moving parts. Loose clothes, jewellery or long hair can be caught in moving parts.
- ▶ If devices are provided for the connection of dust extraction and collection facilities, ensure these are connected and properly used. Use of these devices can reduce dust related hazards.

Power tool use and care

- ▶ Do not force the power tool. Use the correct power tool for your application. The correct power tool will do the job better and safer for the purpose for which it was designed.
- ▶ Do not use the power tool if the switch does not turn it ON and OFF. Any power tool that cannot be controlled with the switch is dangerous and must be repaired.

- ▶ Disconnect the plug from the power source before making any adjustments, changing accessories or storing power tools. Such preventative safety measures reduce the risk of starting the power tool accidentally.
 - ▶ Store idle power tools out of the reach of children and do not allow persons unfamiliar with the power tool or these instructions to operate the power tool. Power tools are dangerous in the hands of untrained users.
 - ▶ Maintain power tools, check for misalignment or binding of moving parts, breakage of parts and any other condition that may affect the power tools' operation. If damaged, have the power tool repaired before use. Many accidents are caused by poorly maintained power tools.
 - ▶ Keep cutting tools sharp and clean. Properly maintained cutting tools with sharp cutting edges are less likely to bind and are easier to control.
 - ▶ Use the power tool, accessories and tool bits etc., in accordance with these instructions and in the manner intended for the particular type of power tool, taking into account the working conditions and the work to be performed. Use of the power tool for operations different from intended could result in a hazardous situation.
- 2 Use auxiliary handles supplied with the tool. Loss of control can cause personal injury.
 - 3 Hold power tools by insulated gripping surfaces when performing an operation where the cutting tool may contact hidden wiring or its own cord. Contact with a "live" wire will make exposed metal parts of the tool "live" and shock the operator.
 - 4 Wear a hard hat (safety helmet), safety glasses and/or face shield. Ordinary eye or sun glasses are NOT safety glasses. It is also highly recommended that you wear a dust mask and thickly padded gloves.
 - 5 Be sure the bit is secured in place before operation.
 - 6 Under normal operation, the tool is designed to produce vibration. The screws can come loose easily, causing a breakdown or accident. Check tightness of screws carefully before operation.
 - 7 In cold weather or when the tool has not been used for a long time, let the tool warm up for a while by operating it under no load. This will loosen up the lubrication.
 - 8 Always be sure you have a firm footing. Be sure no one is below when using the tool in high locations.
 - 9 Hold the tool firmly with both hands.
 - 10 Keep hands away from moving parts.
 - 11 Do not leave the tool running. Operate the tool only when hand-held.
 - 12 Do not point the tool at any one in the area when operating. Parts could fly out and injure someone seriously.
 - 13 Do not touch parts close to the bit immediately after operation; they may be extremely hot and could burn your skin.
 - 14 Some material contains chemicals which may be toxic. Take caution to prevent dust inhalation and skin contact. Follow material supplier safety data.

Service

- ▶ Have your power tool serviced by a qualified repair person using only genuine replacement parts. This will ensure that the safety of the power tool is maintained.
- ▶ Follow instruction for lubricating and changing accessories.
- ▶ Keep handles dry, clean and free from oil and grease.

3. Specific safety regulations

DO NOT let comfort or familiarity with product (gained from repeated use) replace strict adherence to electric power tools' safety rules. If you use this tool unsafely or incorrectly, you can suffer serious personal injury.

- 1 Wear ear protectors. Exposure to noise can cause hearing loss.

Additional safety regulations for combined bench grinders

- The tool should only work with protection plate and only with suitable grinding discs.
- Use only sanding discs as specified in this

manual (specifications, type of binding, maximum speed of rotation, manufacturer)

- Make sure that the new wheel has a perfect fit on the machine's axle. Before putting the grinding machine into operation and after changing the grinding wheel, the grinding wheel should undergo a rotation test. Make sure that the rotation is smooth and that there is no wobbling. If there is wobbling, you may need to insert a ring to fill in any gaps between the axle and the grinding wheel (sold separately).
- Store grinding wheels in a dry place at as stable a temperature as possible.
- Only the supplied wheel rings may be used for the mounting of grinding tools. The wheel rings must be of the same size and shape. The intermediate layers between the wheel ring and grinding tool must be made of a flexible material such as rubber, cardboard or a similar material. The mounting holes of the grinding wheels may not be subsequently drilled.
- Before starting a work activity, switch the grinding machine on for a test run without a load for a period of 5 minutes. During the test run, stay away from the hazard zone.
- Place the grinding machine on a hard and even surface. Pay attention that the work space has the appropriate height, so that you can work with the grinding machine in an ergonomically favourable posture. Screw the machine securely to the surface. Use suitable carriage bolts and nuts for this purpose. There are suitable holes in the base of the machine for this purpose.
- Make sure that the ON / OFF switch is switched off before plugging the power plug into an electrical socket. In doing so, you will avoid unintentionally starting the machine.
- Maximum permitted motor casing temperature: 80 °C
- Do not use any damaged or deformed grinding wheels.
- When changing the sanding discs, the mains plug should always be disconnected.

SAVE THESE INSTRUCTIONS

⚠ WARNING:

Misuse or failure to follow the safety rules stated in this instruction manual may cause serious personal injury.

4. Functional description and specifications

Intended use

The tool is ideal for sharpening knives, chisels and other cutting tools.

Tool	8860
Power supply	230V~50Hz
Power input	300W
No load speed	2950 rpm
Wheel size	Ø150×20×12.7 mm
<i>Grain of grinding wheel</i>	
Left	P36
Right	P60
Tool weight	6 kg

Assembly

⚠ WARNING:

Always disconnect the plug from the power source before making any adjustment or attaching any accessories.

Adjusting the protection plate

Fasten the tool to the work space with screws. Install the plate holder bracket **5** (fig 1). Then install and adjust the protection plate **4** (fig 2) so that the maximum distance between the grinding wheel **6** and the protection plate is less than 2 mm. (fig 3)

Adjusting the work rest

Install the work rest **2** and adjust it from the work rest fixing knob **3** so that the maximum distance between the grinding wheel **6** and the work rest is less than 2 mm. (fig 4)

Operation

Before use

Before operating the tool, make sure that all adjustable parts (plate holding bracket, protection plate, work rest) are properly fitted and firmly in

place according to this operating manual.

Before use, perform grinding wheel rotation test and load-free test operation.

Switching ON and OFF

To start the tool, press the ON / OFF switch **1** to position I (ON). To switch off the tool, press the ON / OFF switch **1** to position O (OFF). (fig 5)

When grinding, do not apply excessive force to avoid overloading the machine.

NOTE:

The workpiece may heat up intensely during grinding, cool it at regular intervals otherwise there is a risk of burns.

The tool is designed for short use. Turn it off after 30 minutes of use. Wait until the tool has cooled down before continuing work.

Changing of the grinding wheel

NOTE:

The minimum permitted wheel diameter is 150 mm.

Loosen the screws securing the protective cover and remove them. Holding the tool base nut, you can loosen nut **D** (Attention, the grinding wheel is screwed with a left-hand thread!). Then remove the ring **A** (fig 6). The assembly is done in the opposite order.

WARNING:

The grinding wheel must have the dimensions that are specified in this manual. For this purpose, compare the applicable safety requirements from this operating manual with the specifications on the grinding wheel.

The intermediate piece **B** between the grinding wheel and the ring should be a rubber disc or a soft cardboard disc. Do not tighten the shaft nut too much, so that the ring does not press too firmly on the grinding wheel.

WARNING:

The use of another ring and an inappropriate grinding wheel can represent a danger of injury.

Changing of the work rest

When the work rest is worn down to below 1.5 mm in thickness, it should be replaced.

5. Maintenance

Correct and regular cleaning will improve the safety and extend the lifespan of the device.

For safe and proper working, always keep the tool and ventilation slots clean.

The tool may be cleaned most effectively with compressed dry air or with a soft cloth moistened with soapy water. **Always wear safety goggles when cleaning tools with compressed air.**

Certain cleaning agents and solvents damage plastic parts. Some of these are: gasoline, carbon tetrachloride, chlorinated cleaning solvents, ammonia and household detergents that contain ammonia.

The brushes and commutator in your tool have been engineered for many hours of dependable service. To maintain peak efficiency of the motor, we recommend every two to six months the brushes be examined.

Store the tool, operating instructions and where necessary the accessories in the original packaging. In this way you will always have all the information and parts ready to hand.

WARNING:

Turn the device off, disconnect it from the mains and wait until it cools down before cleaning or maintenance to avoid electric shock or burn.



Wear ear defenders



Wear safety goggles



Wear a dust mask

6. Warranty

This tool has been checked by the manufacturer. From the date of purchase by the final consumer, a two year warranty for **amateur use** covers any faulty material and manufacturing. The receipt or invoice of purchase needs to be displayed in case of a repair that is covered by the warranty. For

possible faults during the warranty period, you should address your issue to the retail shop from which the purchase was made.

Terms of warranty

The warranty is valid only when:

- The tool has been used properly and for the purpose for which it was purchased.
- The tool presents a problem that is due to faulty material and manufacturing.
- Incapability of the tool to perform according to the technical specs provided.

Damages are not covered by the warranty that are due to causes such as:

- Wear due to improper use.
- Partial or total disassembly. The tool's shell must be disassembled only by personnel authorised by the official distributor.
- Damage due to overloading.
- Usage of incorrect or incompatible accessory.
- Bad maintenance from the operator or any other third party.
- Wear that was induced by external factors or rogue particles (dust, debris etc.)
- Wear due to non compliance with the instructions in this manual.

If, during the warranty period, there is a fault that can not be repaired from the authorised service department, the tool will be replaced without any extra cost.

7. Repair / Servicing

In case there is a need for a repair after the warranty period has expired, we will provide the best possible attention to repair the tool successfully.

8. Disposal



Do not dispose of electrical machines as unsorted municipal waste, use separate collection facilities.

Contact your local government collection systems for information regarding the collection systems available.

If electrical machines are disposed of in landfills or dumps, hazardous substances can leak into the groundwater and get into the food chain, damaging your health and well-being. When replacing old machines with new ones, the retailer will be happy to take back your old machine for disposal.

9. Declaration of Conformity

Authorized Representative

PAPADEAS S.A.

4-6 Iroon 1912 St., 13671, Achame, Greece

Herewith declares that:

The **Bench Grinder** with **CODE: 8860** and distinctive title: **MD3215B** under the brand **KRAUSMANN** (Description: Bench Grinder 300w, 230v-50hz, No-load Speed:2950r/mi, Wheel size150mm, in color box packing), is designed in conformity with provision of the Directives 2006/42/EC and the following manufacturing standards: EN 62841-1:2015, EN 62841-3-4:2016/A11:2017, AfPS GS 2019:01 PAK, EK9-BE-88(v2):2020.

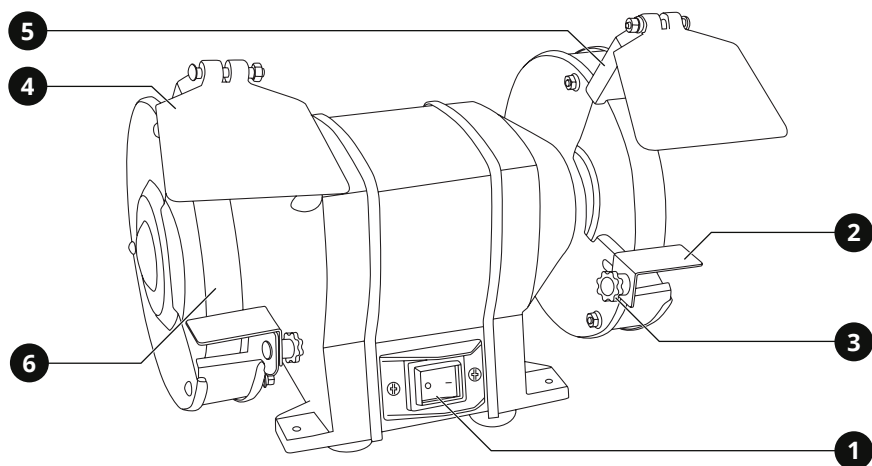
Year in which "CE" marking was affixed: Machine-year 2020

Date: July 1th, 2020



** Accessories and contents may change from the production factory without any warnings, in that case the company bears no responsibility.*

ΕΛΛΗΝΙΚΑ | GR



1. Επισκόπηση

Περιγραφή Εργαλείου

- | | |
|---------------------------------------|-----------------------|
| 1 Διακόπτης ON / OFF | 4 Προστατευτική πλάκα |
| 2 Βάση εργασίας | 5 Στήριγμα πλάκας |
| 3 Βίδα χειρός ρύθμισης βάσης εργασίας | 6 Τροχός λείανσης |

2. Γενικές οδηγίες ασφαλείας

⚠ ΠΡΟΣΟΧΗ:

Αποσυνδέστε το φως από την πρίζα πριν προχωρήσετε σε συναρμολόγηση, παραμετροποιήσεις ή αλλαγή αξεσουάρ.

Τέτοια προληπτικά μέτρα ασφάλειας μειώνουν τον κίνδυνο ακούσιας εκκίνησης του εργαλείου.

Διαβάστε προσεκτικά και τηρήστε αυτές τις οδηγίες πριν τη χρήση του εργαλείου.

Όταν χρησιμοποιείτε ηλεκτρικά εργαλεία, οι ακόλουθες οδηγίες πρέπει να τηρούνται για τη πρόληψη κινδύνου ηλεκτροπληξίας, προσωπικού τραυματισμού και πυρκαγιάς.

Ασφάλεια χώρου εργασίας

- ▶ Διατηρείτε το χώρο εργασίας καθαρό και καλά φωτισμένο. Οι βρώμικοι χώροι και οι σκοτεινοί πάγκοι εργασίας κρύβουν κινδύνους.
- ▶ Μη λειτουργείτε ηλεκτρικά εργαλεία στη βροχή ή σε υγρά μέρη. Μη χρησιμοποιείτε τα ηλεκτρικά εργαλεία κοντά σε εύφλεκτα υγρά ή αέρια. Τα ηλεκτρικά εργαλεία δημιουργούν σπινθήρες που μπορεί να αναφλέξουν τη σκόνη ή τις αναθυμιάσεις.
- ▶ Κρατήστε τους επισκέπτες και τα παιδιά μακριά ενώ λειτουργείτε ένα ηλεκτρικό εργαλείο. Κάθε απόσπαση της προσοχής σας μπορεί να προκαλέσει απώλεια ελέγχου του εργαλείου και να προκαλέσει ατύχημα.

Ασφάλεια ηλεκτρισμού

- ▶ Τα φως των ηλεκτρικών εργαλείων πρέπει να ταιριάζουν με τις πρίζες. Ποτέ μην τροποποιείτε την πρίζα με οποιοδήποτε τρόπο. Μη χρησιμοποιείτε μετατροπείς πρίζας με γειωμένα ηλεκτρικά εργαλεία. Οι πρίζες που δεν έχουν τροποποιηθεί και που ταιριάζουν στο φως θα μειώσουν τον κίνδυνο ηλεκτροπληξίας.
- ▶ Αποφεύγετε σωματική επαφή με γειωμένες επιφάνειες όπως σωλήνες, καλοριφέρ, ψυγεία. Υπάρχει αυξημένος κίνδυνος ηλεκτροπληξίας αν το σώμα σας είναι γειωμένο.

- ▶ Μην εκθέτετε ηλεκτρικά εργαλεία σε συνθήκες βροχής ή σε υγρά. Το νερό που εισέρχεται σε ένα ηλεκτρικό εργαλείο θα αυξήσει τον κίνδυνο ηλεκτροπληξίας.
- ▶ Μην κακομεταχειρίζεστε το καλώδιο. Ποτέ μη χρησιμοποιείτε το καλώδιο για να μεταφέρετε το εργαλείο ή για να το αποσυνδέσετε από την πρίζα τραβώντας το. Φυλάξτε το καλώδιο μακριά από τη ζέστη, το λάδι, κοφτερές επιφάνειες και κινούμενα μέρη. Τα φθαρμένα ή μπερδεμένα καλώδια αυξάνουν τον κίνδυνο ηλεκτροπληξίας.
- ▶ Όταν χρησιμοποιείτε το εργαλείο σε εξωτερικούς χώρους, να χρησιμοποιείτε μόνο προεκτάσεις καλωδίων που είναι κατάλληλες για αντίστοιχη χρήση. Η χρήση ενός τέτοιου καλωδίου μειώνει τον κίνδυνο ηλεκτροπληξίας.

Προσωπική ασφάλεια

- ▶ Να είστε σε επαγρύπνηση, να προσέχετε τι κάνετε και να χρησιμοποιείτε τη κοινή λογική όταν χρησιμοποιείτε ένα ηλεκτρικό εργαλείο. Μη χρησιμοποιείτε το εργαλείο όταν είστε κουρασμένος ή υπό την επήρεια ναρκωτικών, αλκοόλ ή φαρμακευτικής αγωγής. Μια στιγμή απροσεξίας μπορεί να προκαλέσει σοβαρό προσωπικό τραυματισμό.
- ▶ Χρησιμοποιείτε εξοπλισμό ασφαλείας. Πάντα να φοράτε προστασία για τα μάτια σας. Η χρήση κατάλληλου εξοπλισμού ασφαλείας για τις εκάστοτε συνθήκες εργασίας όπως μάσκα σκόνης, αντιολισθητικά παπούτσια ασφαλείας, κράνος προστασίας ή ωτοασπίδες θα μειώσει τον κίνδυνο προσωπικού τραυματισμού.
- ▶ Αποφύγετε ακούσια εκκίνηση του εργαλείου. Βεβαιωθείτε ότι ο διακόπτης είναι στη θέση OFF πριν το συνδέσετε στην πρίζα. Η μεταφορά εργαλείων που είναι συνδεδεμένα στην πρίζα με το δάκτυλο στο διακόπτη μπορεί να προκαλέσει ατύχημα.
- ▶ Αφαιρέστε τα εργαλεία και κλειδιά ρύθμισης πριν εκκινήσετε το εργαλείο. Αν έχει ξεχαστεί ένα τέτοιο εξάρτημα σε ένα περιτρεφόμενο μέρος του εργαλείου, μπορεί να προκαλέσει προσωπικό τραυματισμό.

- ▶ Μην υπερβάλλετε τεντώνοντας τα σωματικά σας μέρη. Διατηρείστε τη σωστή θέση των ποδιών σας και την ισορροπία σας ανά πάσα στιγμή. Έτσι θα έχετε καλύτερο έλεγχο του ηλεκτρικού εργαλείου σε αναπάντεχες καταστάσεις.
- ▶ Ντυθείτε κατάλληλα. Μη φοράτε χαλαρά ρούχα ή κοσμήματα. Κρατείστε τα μαλλιά, ρούχα και γάντια σας μακριά από κινούμενα μέρη. Τα χαλαρά ρούχα, κοσμήματα ή μακριά μαλλιά ενδέχεται να πιαστούν σε κινούμενα μέρη.
- ▶ Αν παρέχονται εξαρτήματα για εξαγωγή και περισυλλογή σκόνης, βεβαιωθείτε ότι είναι συνδεδεμένα και χρησιμοποιούνται σωστά. Η χρήση τέτοιων εξαρτημάτων μπορεί να μειώσουν κινδύνους που σχετίζονται με τη σκόνη.

Χρήση και φροντίδα του ηλεκτρικού εργαλείου

- ▶ Μη ζορίζετε το ηλεκτρικό εργαλείο. Χρησιμοποιείστε το κατάλληλο ηλεκτρικό εργαλείο για την κάθε ανάγκη. Το κατάλληλο εργαλείο θα φέρει εις πέρας την εργασία με μεγαλύτερη επιτυχία και ασφάλεια, όταν χρησιμοποιείται για το σκοπό που έχει κατασκευαστεί.
- ▶ Μη χρησιμοποιείτε το ηλεκτρικό εργαλείο αν ο διακόπτης δε γυρνάει στη θέση ON και OFF. Οποιοδήποτε ηλεκτρικό εργαλείο που δεν μπορεί να λειτουργήσει με το διακόπτη είναι επικίνδυνο και πρέπει να επισκευαστεί.
- ▶ Να βγάζετε το φως από την πρίζα πριν προχωρήσετε σε αλλαγές των αξεσουάρ ή σε αποθήκευση. Τέτοια προληπτικά μέτρα ασφαλείας μειώνουν τον κίνδυνο ακούσιας εκκίνησης του εργαλείου.
- ▶ Αποθηκεύστε τα εκτός λειτουργίας ηλεκτρικά εργαλεία σε χώρο που δεν είναι προσβάσιμα σε παιδιά και μην επιτρέπετε να τα λειτουργήσουν άτομα που δεν έχουν την κατάλληλη γνώση ή δεν έχουν διαβάσει το εγχειρίδιο χρήσης. Τα ηλεκτρικά εργαλεία είναι επικίνδυνα στα χέρια μη εκπαιδευμένων ατόμων.
- ▶ Συντηρείστε τα ηλεκτρικά εργαλεία, ελέγξτε την ευθυγράμμιση ή εμπλοκή των κινούμενων τμημάτων, τυχόν ρωγμές

τμημάτων, σύνδεση και κάθε άλλη συνθήκη που μπορεί να το καταστήσει επικίνδυνο και να επηρεάσει τη λειτουργία του. Αν έχει υποστεί ζημιά, πρέπει να επισκευαστεί κατάλληλα από ένα εξουσιοδοτημένο σέρβις πριν χρησιμοποιηθεί. Πολλά ατυχήματα μπορούν να συμβούν από ηλεκτρικά εργαλεία που δεν έχουν συντηρηθεί κατάλληλα.

- ▶ Διατηρείστε τα εργαλεία κοφτερά και καθαρά. Τα εργαλεία κοπής που είναι σωστά διατηρημένα και έχουν κοφτερές άκρες είναι λιγότερο πιθανό να χαλάσουν και είναι πιο εύκολα στον έλεγχο.
- ▶ Χρησιμοποιείτε το ηλεκτρικό εργαλείο, τα αξεσουάρ, τα εξαρτήματα κ.λπ. σύμφωνα με αυτές τις οδηγίες και με τον κατάλληλο τρόπο για το συγκεκριμένο τύπο του ηλεκτρικού εργαλείου, λαμβάνοντας υπόψη τις συνθήκες και την εργασία που πρέπει να πραγματοποιηθεί. Η χρήση του εργαλείου για σκοπούς διαφορετικούς από αυτούς για τους οποίους προορίζεται μπορεί να προκαλέσουν μια επικίνδυνη κατάσταση.

Επισκευή / Σέρβις

- ▶ Δώστε το εργαλείο σας να επισκευαστεί από έναν εξειδικευμένο ειδικό, χρησιμοποιώντας μόνο γνήσια ανταλλακτικά. Αυτό θα εξασφαλίσει τη διατήρηση της ασφάλειας του ηλεκτρικού εργαλείου.
- ▶ Ακολουθείστε τις οδηγίες για τη λίπανση και την αλλαγή των αξεσουάρ.
- ▶ Διατηρείστε τις λαβές στεγνές, καθαρές και χωρίς την ύπαρξη λαδιού και γράσου.

3. Ειδικές οδηγίες ασφαλείας

ΜΗΝ αφήνετε την άνεση και την εξοικείωση με το προϊόν (που αποκτήθηκε από εκτεταμένη χρήση) να αντικαταστήσει την αυστηρή συμμόρφωση με τους κανόνες ασφαλείας των ηλεκτρικών εργαλείων. Αν χρησιμοποιείτε αυτό το εργαλείο με λάθος τρόπο και χωρίς ασφάλεια, μπορεί να υποστείτε κάποιο σοβαρό προσωπικό τραυματισμό.

1. Να φοράτε προστατευτικά αυτιών. Η έκθεση

σε θόρυβο μπορεί να προκαλέσει απώλεια ακοής.

- 2 Να χρησιμοποιείτε το εργαλείο από τη λαβή του. Η απώλεια ελέγχου μπορεί να προκαλέσει προσωπικό τραυματισμό.
- 3 Όταν πραγματοποιείτε εργασίες όπου το εργαλείο μπορεί να έρθει σε επαφή με κρυφή καλωδίωση ή με το ίδιο το καλώδιο, κρατείστε το εργαλείο με μονωμένες επιφάνειες που παρέχουν τριβή. Η επαφή με ένα γυμνό καλώδιο που φέρει ρεύμα θα καταστήσει ηλεκτροφόρο τα εκτεθειμένα μεταλλικά μέρη του εργαλείου και θα προκαλέσει ηλεκτροπληξία στο χειριστή.
- 4 Να φοράτε κράνος προστασίας, γυαλιά προστασίας και / ή μάσκα προσώπου. Τα κανονικά γυαλιά ή γυαλιά ηλίου ΔΕΝ αποτελούν είδη ασφαλείας. Επίσης συνίσταται να φοράτε μάσκα σκόνης και χοντρά μονωμένα γάντια.
- 5 Βεβαιωθείτε ότι τα αξεσουάρ είναι ασφαλισμένα στη θέση τους πριν ξεκινήσετε τη λειτουργία του εργαλείου.
- 6 Υπό κανονικές συνθήκες, το εργαλείο είναι σχεδιασμένο να παράγει δονήσεις. Οι βίβες μπορούν εύκολα να χαλαρώσουν, προκαλώντας ζημιά ή ατύχημα. Να ελέγχετε προσεκτικά ότι οι βίβες είναι σφιγμένες πριν τη χρήση.
- 7 Σε κρύο καιρό ή όταν το εργαλείο δεν έχει χρησιμοποιηθεί για αρκετό καιρό, αφήστε το να ζεσταθεί για λίγο λειτουργώντας το σε συνθήκες μηδενικής πίεσης. Με αυτό τον τρόπο θα χαλαρώσει η λίπανση.
- 8 Πάντα να είστε σίγουροι ότι πατάτε γερά στα πόδια σας. Σιγουρευτείτε ότι δεν υπάρχει κάποιος από κάτω όταν χρησιμοποιείτε το εργαλείο σε υψηλές τοποθεσίες.
- 9 Κρατείστε το εργαλείο γερά και με τα δυο σας χέρια.
- 10 Κρατείστε τα χέρια σας μακριά από κινούμενα μέρη.
- 11 Μην αφήνετε το εργαλείο σε λειτουργία. Να το λειτουργείτε μόνο όταν το έχετε στα χέρια σας.
- 12 Μην σημαδεύετε το εργαλείο προς οποιονδήποτε στην περιοχή λειτουργίας. Κάποιο εξάρτημα ίσως αποκολληθεί

με αποτέλεσμα να προκαλέσει σοβαρό τραυματισμό.

- 13 Μην αγγίζετε τα εξαρτήματα κοντά στα κινούμενα μέρη αμέσως μετά τη λειτουργία. Μπορεί τα μέρη του εργαλείου να είναι πολύ ζεστά και να προκαλέσουν εγκαύματα.
- 14 Κάποια υλικά περιέχουν χημικά που μπορεί να είναι τοξικά. Λάβετε μέτρα για να αποφύγετε εισπνοή σκόνης και επαφή με το δέρμα. Ακολουθείστε τις οδηγίες ασφαλείας του παρόχου των υλικών.

Πρόσθετες οδηγίες ασφαλείας ειδικά για δίδυμους τροχούς πάγκου

- Το εργαλείο πρέπει να λειτουργεί μόνο με τις προστατευτικές από σπινθήρες πλάκες και μόνο με κατάλληλους δίσκους λείανσης.
- Να χρησιμοποιείτε μόνο δίσκους λείανσης με τις προδιαγραφές που υπάρχουν σε αυτό το εγχειρίδιο (χαρακτηριστικά, είδος δεοσίματος, μέγιστη επιτρεπόμενη ταχύτητα περιστροφής, κατασκευαστής)
- Βεβαιωθείτε ότι ο νέος τροχός έχει τέλεια εφαρμογή στον άξονα του εργαλείου. Πριν θέσετε το εργαλείο σε λειτουργία και μετά την αλλαγή του τροχού λείανσης, ο τροχός λείανσης πρέπει να υποβληθεί σε δοκιμή περιστροφής. Βεβαιωθείτε ότι η περιστροφή είναι ομαλή και ότι δεν υπάρχει ταλάντωση. Εάν υπάρχει ταλάντωση, μπορεί να χρειαστεί να εισαγάγετε έναν δακτύλιο για να γεμίσετε τυχόν κενά μεταξύ του άξονα και του τροχού λείανσης (πωλείται χωριστά).
- Αποθηκεύστε τους τροχούς λείανσης σε ξηρό μέρος σε όσο το δυνατόν πιο σταθερή θερμοκρασία.
- Να χρησιμοποιούνται μόνο το παρεχόμενα δαχτυλίδια τροχών για την τοποθέτηση εργαλείων λείανσης. Τα δαχτυλίδια των τροχών πρέπει να έχουν το ίδιο μέγεθος και σχήμα. Τα ενδιάμεσα στρώματα μεταξύ του δαχτυλιδίου και του εργαλείου πρέπει να είναι κατασκευασμένα από εύκαμπτο υλικό όπως καουτσούκ, χαρτόνι ή άλλο παρόμοιο υλικό. Οι οπές στερέωσης των τροχών λείανσης ενδέχεται να μην τρυπηθούν στη συνέχεια.
- Πριν ξεκινήσετε μια εργασία, ενεργοποιήστε το εργαλείο για μια δοκιμαστική λειτουργία

χωρίς φορτίο για 5 λεπτά. Κατά τη διάρκεια της δοκιμαστικής λειτουργίας, απομακρυνθείτε από τη ζώνη κινδύνου.

- Τοποθετήστε το εργαλείο σε μια σκληρή και επίπεδη επιφάνεια. Ο χώρος εργασίας πρέπει να έχει το κατάλληλο ύψος, ώστε να μπορείτε να εργαστείτε σε εργονομικά ευνοϊκή στάση. Βιδώστε καλά το εργαλείο στην επιφάνεια. Χρησιμοποιήστε κατάλληλα μπουλόνια και παξιμάδια για αυτό το σκοπό. Υπάρχουν κατάλληλες τρύπες στη βάση του εργαλείου για αυτό το λόγο.
- Βεβαιωθείτε ότι ο διακόπτης ON / OFF είναι απενεργοποιημένος πριν συνδέσετε το φις στην πρίζα. Έτσι θα αποφύγετε την ακούσια εκκίνηση του εργαλείου.
- Μέγιστη επιτρεπόμενη θερμοκρασία περιβάλλοντος κινήτρια: 80 °C
- Μην χρησιμοποιείτε ελαττωματικούς ή παραμορφωμένους τροχούς λείανσης.
- Κατά την αλλαγή των δίσκων λείανσης, το φις πρέπει πάντα να αποσυνδέεται.

ΑΠΟΘΗΚΕΥΣΤΕ ΑΥΤΟ ΤΟ ΕΓΧΕΙΡΙΔΙΟ ΧΡΗΣΗΣ

⚠ ΠΡΟΣΟΧΗ:

Κατάχρηση ή μη τήρηση των οδηγιών ασφαλείας που αναγράφονται σε αυτό το εγχειρίδιο χρήσης μπορεί να προκαλέσουν σοβαρό προσωπικό τραυματισμό.

4. Περιγραφή λειτουργιών και προδιαγραφών

Προβλεπόμενη χρήση

Το εργαλείο είναι ιδανικό για ακόνισμα μαχαριών, καλεμιών και άλλων κοπτικών εργαλείων.

Εργαλείο	8860
Τάση λειτουργίας	230V~50Hz
Ισχύς εισόδου	300W
Ταχύτητα χωρίς φορτίο	2950 rpm
Μέγεθος τροχού	Ø150×20×12.7 mm
Κόκκος τροχού λείανσης	
Αριστερός	P36
Δεξιός	P60
Βάρος εργαλείου	6 kg

Συναρμολόγηση

⚠ ΠΡΟΣΟΧΗ:

Αποσυνδέετε πάντα το βύσμα από την πηγή τροφοδοσίας πριν κάνετε οποιαδήποτε ρύθμιση ή συνδέσετε τυχόν αξεσουάρ.

Ρύθμιση της προστατευτικής πλάκας

Στερεώστε το εργαλείο στο χώρο εργασίας με βίδες. Τοποθετήστε το στήριγμα πλάκας **5** (fig 1). Στη συνέχεια τοποθετήστε και ρυθμίστε τη προστατευτική πλάκα **4** (fig 2) έτσι ώστε η μέγιστη απόσταση μεταξύ του τροχού λείανσης **6** και της προστατευτικής πλάκας να είναι μικρότερη από 2 mm. (fig 3)

Ρύθμιση της βάσης εργασίας

Τοποθετήστε τη βάση εργασίας **2** και ρυθμίστε τη από τη βίδα χειρός ρύθμισης βάσης εργασίας **3** έτσι ώστε η μέγιστη απόσταση μεταξύ της τροχού λείανσης **6** και της βάσης εργασίας να είναι μικρότερη από 2 mm. (fig 4)

Λειτουργία

Πριν από τη χρήση

Πριν θέσετε το εργαλείο σε λειτουργία βεβαιωθείτε ότι όλα τα ρυθμιζόμενα μέρη (στήριγμα πλάκας, προστατευτική πλάκα, βάση εργασίας) είναι σωστά προσαρμοσμένα και σφικτά τοποθετημένα στη θέση τους, σύμφωνα με αυτό το εγχειρίδιο λειτουργίας.

Πριν από τη χρήση, πραγματοποιήστε δοκιμή περιστροφής των τροχών λείανσης και δοκιμαστική λειτουργία χωρίς φορτίο.

Ενεργοποίηση και απενεργοποίηση

Για να εκκινήσετε το εργαλείο, πιέστε το διακόπτη

ON / OFF **1** προς τη θέση I (ON). Για να το απενεργοποιήσετε απλά πατήστε τον διακόπτη ON / OFF **1** προς τη θέση O (OFF). (fig 5)

Κατά τη λείανση, μην ασκείτε υπερβολική δύναμη, για να αποφύγετε την υπερφόρτωση του εργαλείου.

ΣΗΜΕΙΩΣΗ:

Το τεμάχιο εργασίας μπορεί να θερμανθεί έντονα κατά τη διάρκεια της λείανσης, ψύξτε το ανά τακτά χρονικά διαστήματα διαφορετικά υπάρχει κίνδυνος εγκαυμάτων.

Το εργαλείο έχει σχεδιαστεί για σύντομη χρήση. Απενεργοποιήστε το μετά από 30 λεπτά χρήσης. Πριν συνεχίσετε την εργασία, περιμένετε μέχρι το εργαλείο να κρυώσει.

Αλλαγή τροχού λείανσης

ΣΗΜΕΙΩΣΗ:

Η ελάχιστη επιτρεπόμενη διάμετρος τροχού είναι 150 mm.

Χαλαρώστε τις βίδες στερέωσης του προστατευτικού καλύμματος και αφαιρέστε τις. Κρατώντας το παξιμάδι της βάσης του εργαλείου, μπορείτε να χαλαρώσετε το παξιμάδι **D** (Προσοχή, ο τροχός λείανσης βιδώνεται με αριστερό σπείρωμα!). Στη συνέχεια, αφαιρέστε το δαχτυλίδι **A** (fig 6). Η συναρμολόγηση γίνεται με την αντίθετη σειρά.

ΠΡΟΣΟΧΗ:

Ο τροχός λείανσης πρέπει να έχει τις διαστάσεις που καθορίζονται σε αυτό το εγχειρίδιο. Για το σκοπό αυτό, συγκρίνετε τις ισχύουσες απαιτήσεις ασφαλείας από αυτό το εγχειρίδιο λειτουργίας με τις προδιαγραφές του τροχού λείανσης.

Το ενδιάμεσο κομμάτι **B** μεταξύ του τροχού λείανσης και του δαχτυλιδιού πρέπει να είναι ένας δίσκος από καουτσούκ ή ένας δίσκος από μαλακό χαρτόνι. Μην σφίγγετε πολύ το παξιμάδι του άξονα, έτσι ώστε το δαχτυλίδι να μην πιέζει πολύ τον τροχό λείανσης.

ΠΡΟΣΟΧΗ:

Η χρήση άλλου δαχτυλιδιού και ακατάλληλου τροχού λείανσης μπορεί να αποτελεί κίνδυνο τραυματισμού.

Αλλαγή βάσης εργασίας

Όταν η βάση εργασίας έχει φθαρεί σε πάχος κάτω από 1.5 mm, θα πρέπει να αντικατασταθεί.

5. Συντήρηση

Ο σωστός και τακτικός καθαρισμός θα βελτιώσει την ασφάλεια και θα επεκτείνει τη διάρκεια ζωής του εργαλείου.

Για ασφαλή και σωστή εργασία, πάντα να κρατάτε καθαρές τις υποδοχές εξερισμού και το ίδιο το εργαλείο σε καλή κατάσταση.

Το εργαλείο μπορεί να καθαριστεί αποτελεσματικά με ξηρό συμπιεσμένο αέρα ή με ένα μαλακό πανί βρεγμένο με σαπουνόνερο.

Πάντα να φοράτε προστατευτικά ματιών όταν καθαρίζετε τα εργαλεία με συμπιεσμένο αέρα.

Ορισμένα καθαριστικά μέσα και διαλύτες μπορεί να προκαλέσουν βλάβη σε πλαστικά μέρη. Κάποια από αυτά είναι: βενζίνη, τετραχλωράνθρακας, χλωριωμένοι διαλύτες

καθαρισμού, αμμωνία και οικιακά απορρυπαντικά που περιέχουν αμμωνία.

Οι ψύκτρες (καρβουνάκια) και ο διακόπτης στο εργαλείο σας έχουν σχεδιαστεί για πολλές ώρες αξιόπιστης λειτουργίας. Για να διατηρηθεί η μέγιστη απόδοση του κινητήρα, συνιστούμε κάθε δύο έως έξι μήνες να εξετάζονται οι ψύκτρες.

Αποθηκεύστε το εργαλείο, το εγχειρίδιο χρήσης και όπου είναι απαραίτητο τα αξεσουάρ στη γνήσια συσκευασία. Με αυτό τον τρόπο θα έχετε πάντα όλη την πληροφορία και τα διάφορα μέρη στη διάθεσή σας.

ΠΡΟΣΟΧΗ:

Απενεργοποιήστε το εργαλείο, αποσυνδέστε την από το ρεύμα και περιμένετε μέχρι να κρυώσει πριν από τον καθαρισμό ή τη συντήρηση για να αποφύγετε ηλεκτροπληξία ή εγκαύματα.



Να φοράτε προστατευτικά αυτιών



Να φοράτε προστατευτικά ματιών



Να φοράτε μάσκα για τη σκόνη

6. Εγγύηση

Αυτό το εργαλείο έχει ελεγχθεί από τον κατασκευαστή. Από την ημερομηνία αγοράς από τον τελικό καταναλωτή, η εγγύηση δύο ετών για **ερασιτεχνική χρήση** καλύπτει κάθε ελαττωματικό υλικό και κατασκευή. Η απόδειξη ή το τιμολόγιο αγοράς πρέπει να επιδεικνύεται σε περίπτωση επισκευής που καλύπτεται από την εγγύηση. Για πιθανές βλάβες κατά τη διάρκεια της περιόδου εγγύησης, θα πρέπει να απευθυνθείτε στο κατάστημα λιανικής πώλησης από το οποίο πραγματοποιήθηκε η αγορά.

Όροι εγγύησης

Η εγγύηση ισχύει μόνο όταν:

- Το εργαλείο έχει χρησιμοποιηθεί σωστά και για τον σκοπό για τον οποίο αγοράστηκε.
- Το εργαλείο παρουσιάζει ένα πρόβλημα που οφείλεται σε ελαττωματικό υλικό και κατασκευή.
- Το εργαλείο αδυναμεί να εκτελέσει εργασίες σύμφωνα με τις τεχνικές προδιαγραφές που παρέχονται.

Δεν καλύπτονται από την εγγύηση ζημιές που οφείλονται σε αιτίες όπως:

- Φθορά λόγω ακατάλληλης χρήσης.
- Μερική ή ολική αποσυναρμολόγηση. Η αποσυναρμολόγηση πρέπει να γίνεται μόνο από προσωπικό εξουσιοδοτημένο από τον επίσημο διανομέα.
- Ζημιές λόγω υπερφόρτωσης.
- Χρήση εσφαλμένου ή ασύμβατου εξαρτήματος.
- Κακή συντήρηση από τον χειριστή ή οποιοδήποτε άλλο τρίτο μέρος.
- Φθορά που προκλήθηκε από εξωτερικούς παράγοντες ή ξένα σωματίδια (σκόνη, μπάζα κ.λπ.)
- Φθορά λόγω μη συμμόρφωσης με τις οδηγίες αυτού του εγχειριδίου.

Εάν, κατά τη διάρκεια της περιόδου εγγύησης, υπάρχει ζημιά που δεν μπορεί να επισκευαστεί από το εξουσιοδοτημένο τμήμα σέρβις, το εργαλείο θα αντικατασταθεί χωρίς πρόσθετο κόστος.

7. Επισκευή / Σέρβις

Σε περίπτωση ανάγκης για επισκευή μετά τη λήξη της περιόδου εγγύησης, θα δώσουμε την καλύτερη δυνατή προσοχή για την επιτυχή επιδιόρθωση του εργαλείου.

8. Περιβάλλον



Μην απορρίπτετε τις ηλεκτρικές μηχανές ως αστικά απόβλητα χωρίς διαλογή, χρησιμοποιήστε χωριστές εγκαταστάσεις συλλογής.

Επικοινωνήστε με τα συστήματα συλλογής τοπικής κυβέρνησης που είναι διαθέσιμα. Εάν τα ηλεκτρικά μηχανήματα απορρίπτονται σε χώρους υγειονομικής ταφής ή χωματερές, επικίνδυνες ουσίες μπορεί να διαρρεύσουν στα υπόγεια ύδατα και να εισέλθουν στην τροφική αλυσίδα, βλάπτοντας την υγεία και την ευημερία.

Κατά την αντικατάσταση των παλαιών μηχανημάτων με καινούργια, ο έμπορος λιανικής θα χαρεί να πάρει πίσω το παλιό σας μηχανήμα για απόρριψη.

9. Δήλωση Συμμόρφωσης

Εξουσιοδοτημένος Αντιπρόσωπος

ΠΑΠΑΔΕΑΣ Α.Ε.

Ηρώων 1912 4-6, 13671, Αχαρναί, Ελλάδα

Δια της παρούσης δηλώνεται ότι:

Ο δίδυμος τροχός πάγκου με ΚΩΔΙΚΟ: 8860 και διακριτικό τίτλο: **MD3215B** υπό την επωνυμία **KRAUSMANN** (Περιγραφή: δίδυμος τροχός πάγκου 300w, 230v-50hz, Ταχύτητα χωρίς φορτίο: 2950r/mi, Μέγ. τροχού 150mm, σε έγχρωμο κουτί), είναι σχεδιασμένο σύμφωνα με τη διάταξη των Οδηγιών 2006/42/EC και σύμφωνα με τα ακόλουθα πρότυπα: EN 62841-1:2015, EN 62841-3-4:2016/A11:2017, AfPS GS 2019:01 PAK, EK9-BE-88(v2):2020.

Έτος απόκτησης "CE" πιστοποίησης: εργαλείο 2020

Ημερομηνία: 1 Ιουλίου 2020



* Τα αξεσουάρ και τα περιεχόμενα ενδέχεται να αλλάξουν από το εργοστάσιο παραγωγής χωρίς προειδοποίηση, σε αυτή την περίπτωση η εταιρεία δεν φέρει καμία ευθύνη.

KRAUSMANN
POWER TOOLS

RELIABLE PERFORMANCE

8860

www.krausmann.gr

